



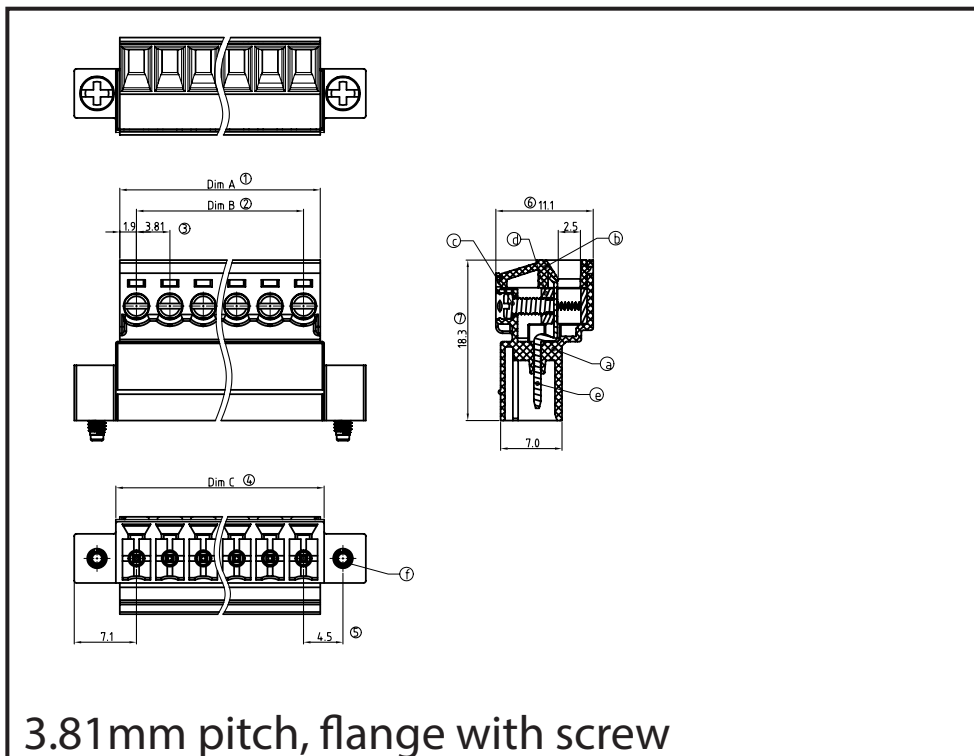
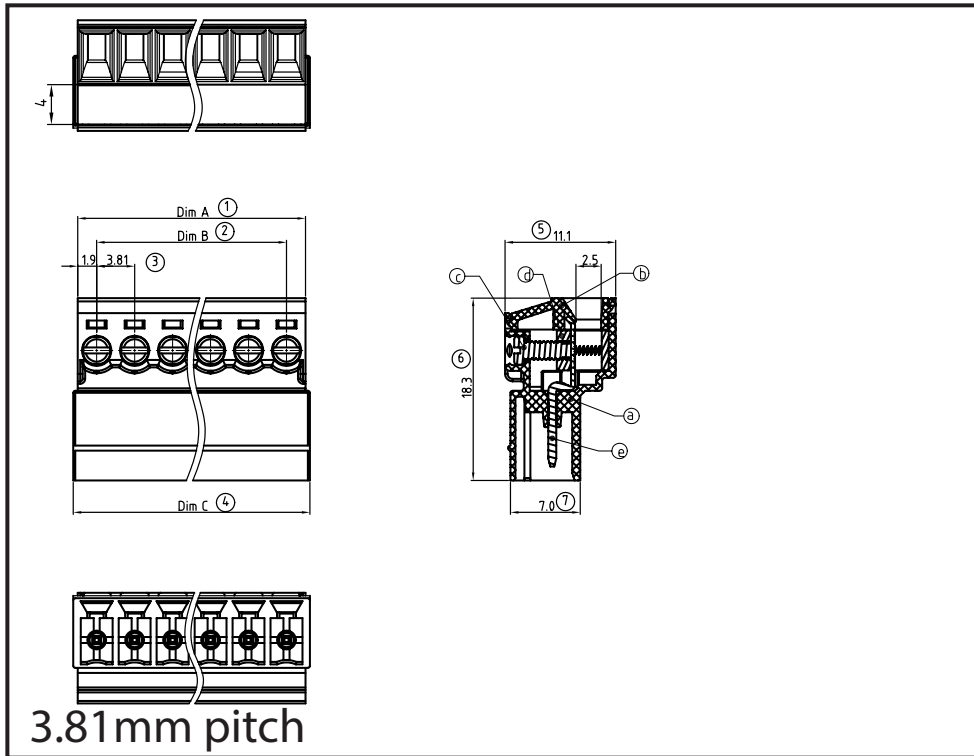
### TECHNICAL INFORMATION

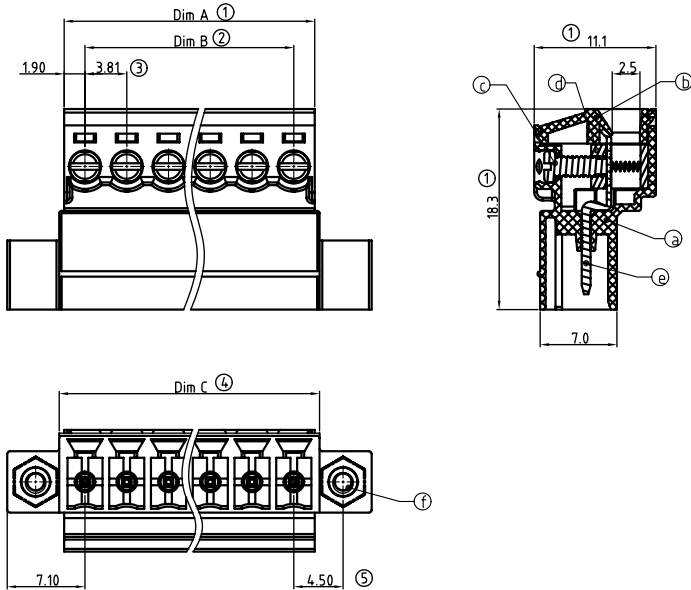
HMSK Series			
Pitch Available (mm)	3.81	5.08	7.62
Poles Available	2 - 24	2 - 24	2 - 16
Wire Gauge Solid Wire (AWG)	14~30	12~24	12~24
Voltage Rating	300V	300V	300V
Current Rating	8A	20A	20A
Withstanding voltage	1.6KV	1.6KV	1.6KV
Operating Temperature	-40°C to +115°C		
Electrical Approval	cULus - File number E314038		

### DRAWINGS

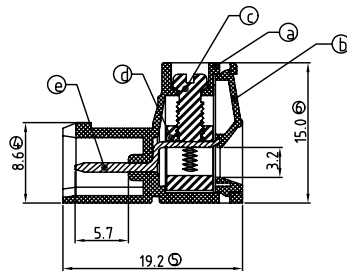
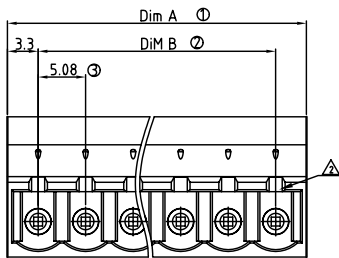
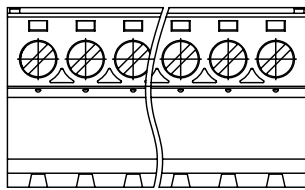
### NEXT PAGE





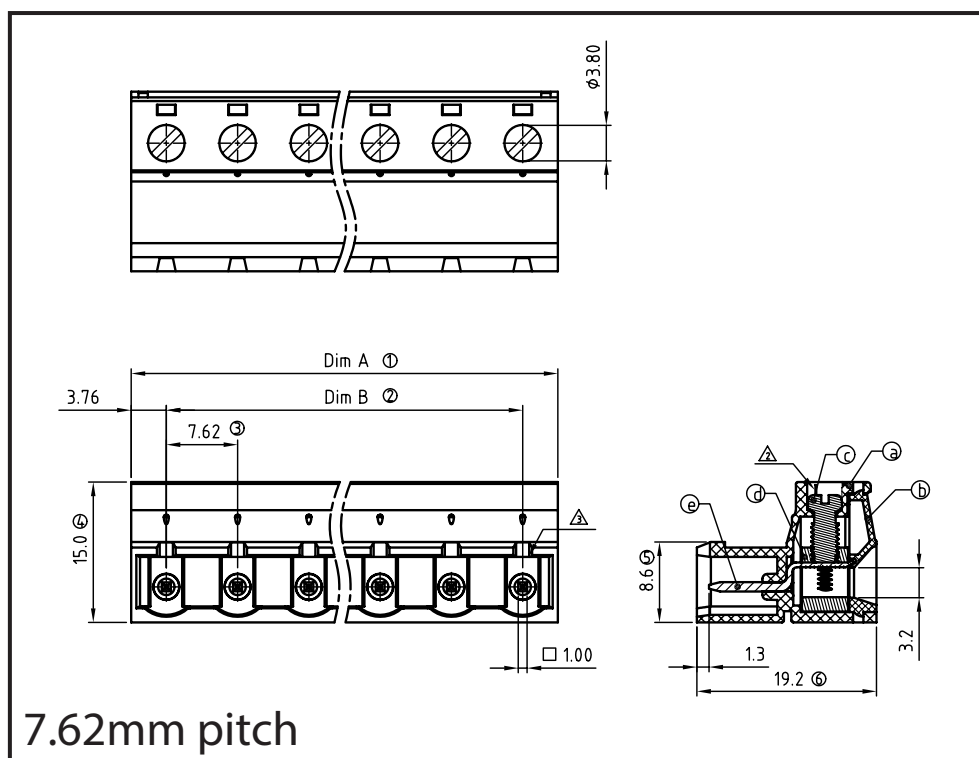
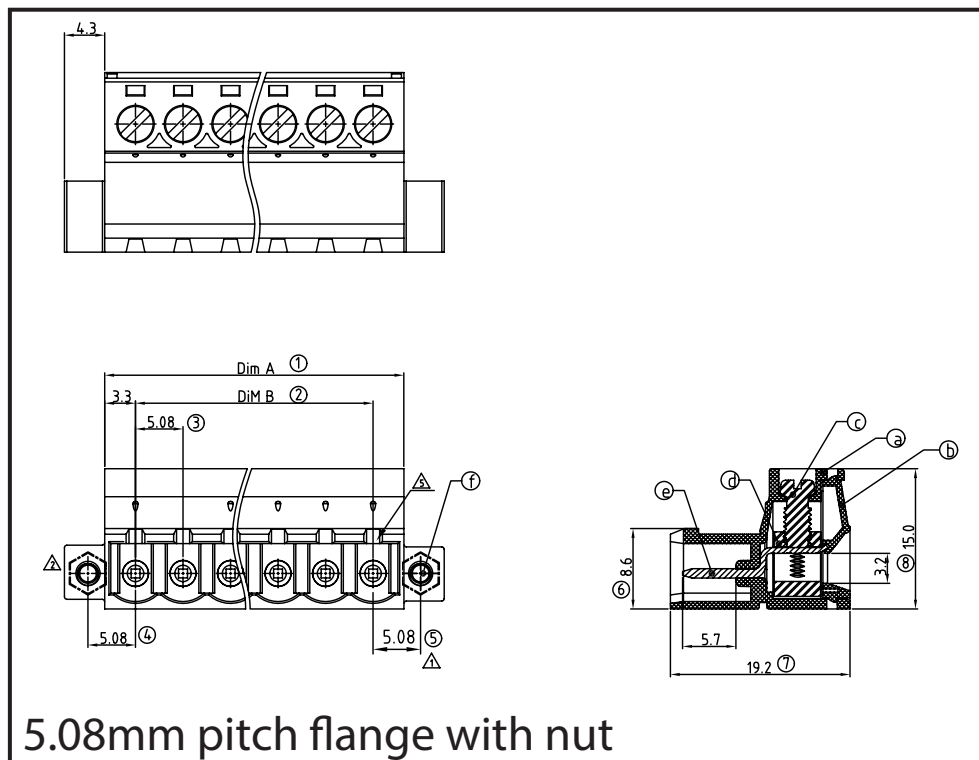


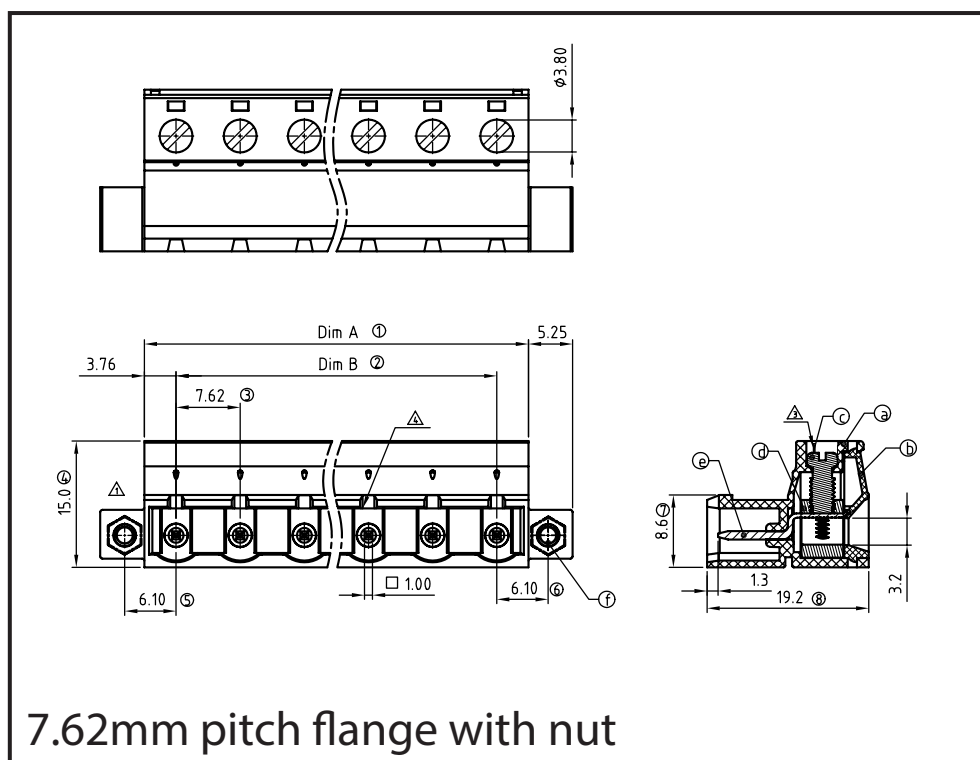
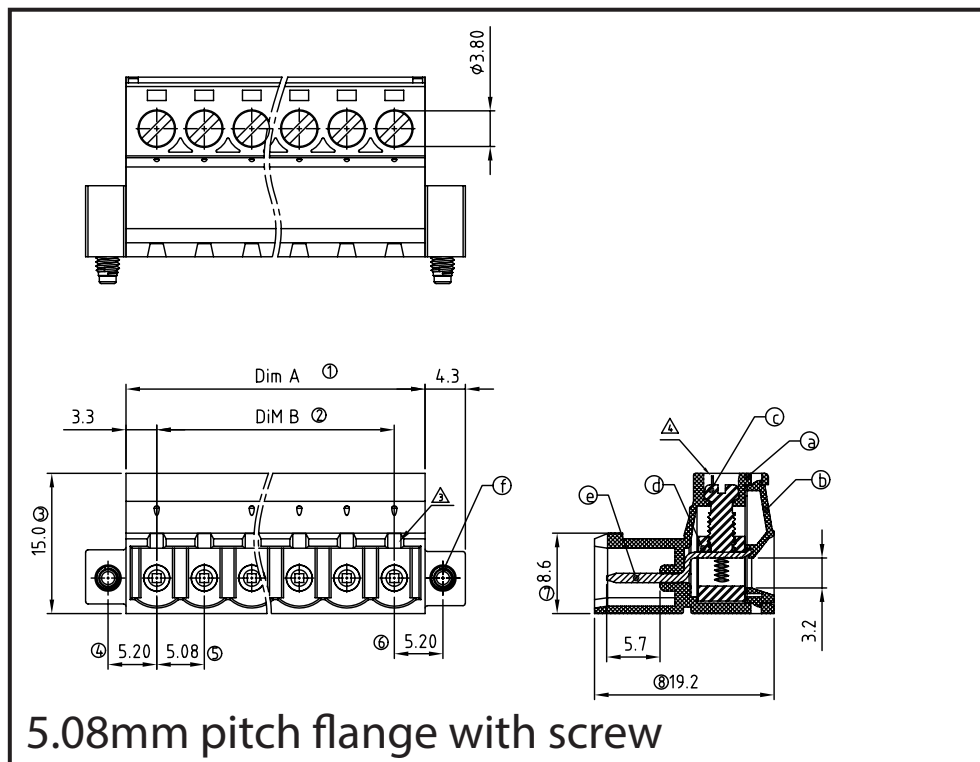
3.81 mm pitch, flange with nut

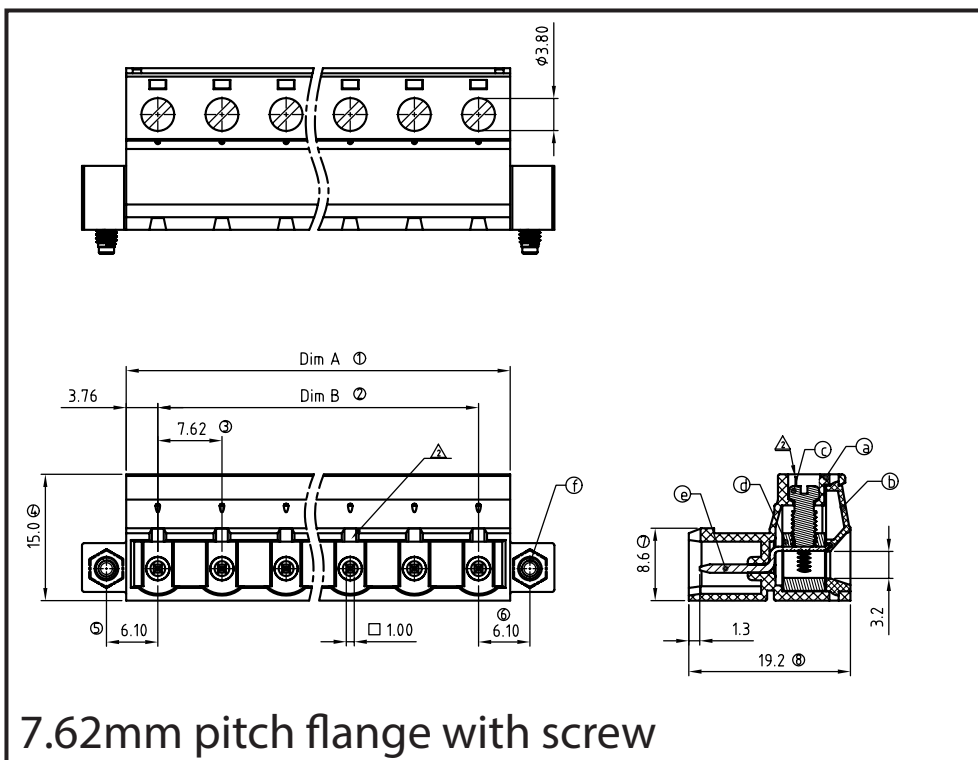


5.08 mm pitch









### ORDERING CODES

<b>HMSK</b>	<b>XX</b>	<b>0</b>	<b>X</b>	<b>X</b>	<b>X</b>
02 2 Contacts 03 3 Contacts ... .. 24 24 Contacts (3.81/5.08mm pitch)  16 16 Contacts (7.62mm pitch)	P Closed V Flange with screw N Flange with nut	5 5.08 7 7.62 T 3.81	N Black V Green		

