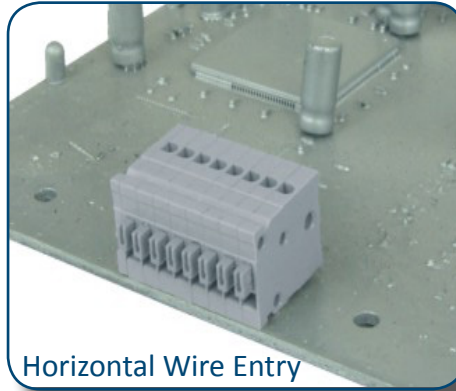


Vertical Wire Entry

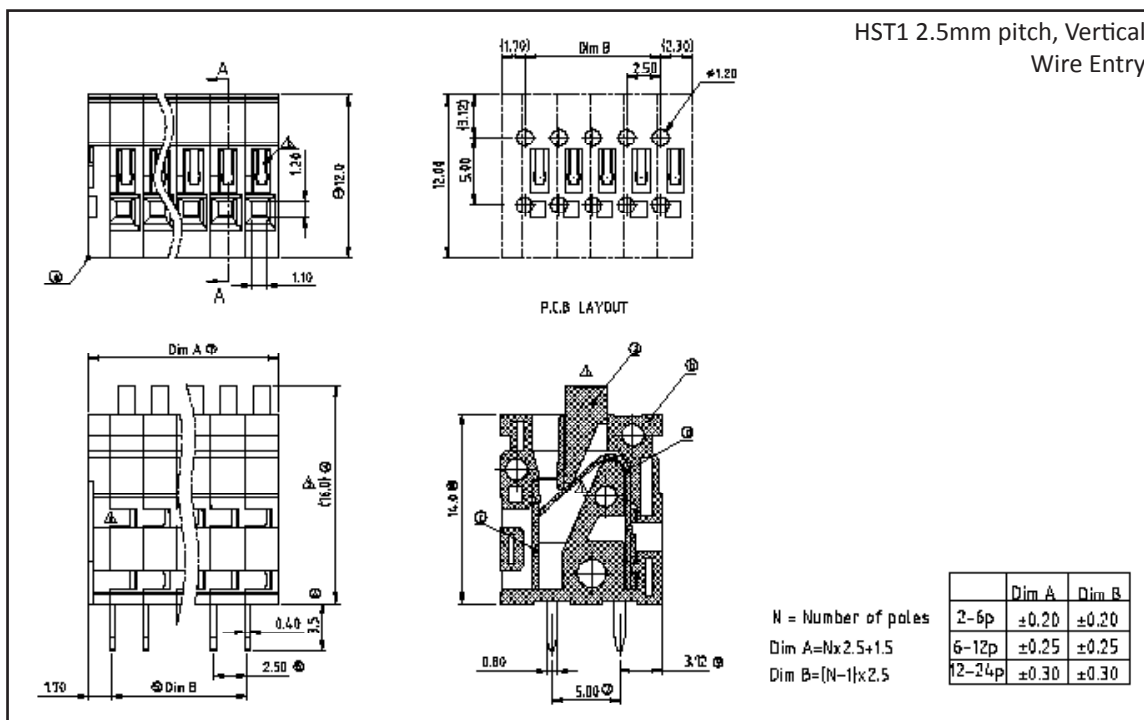


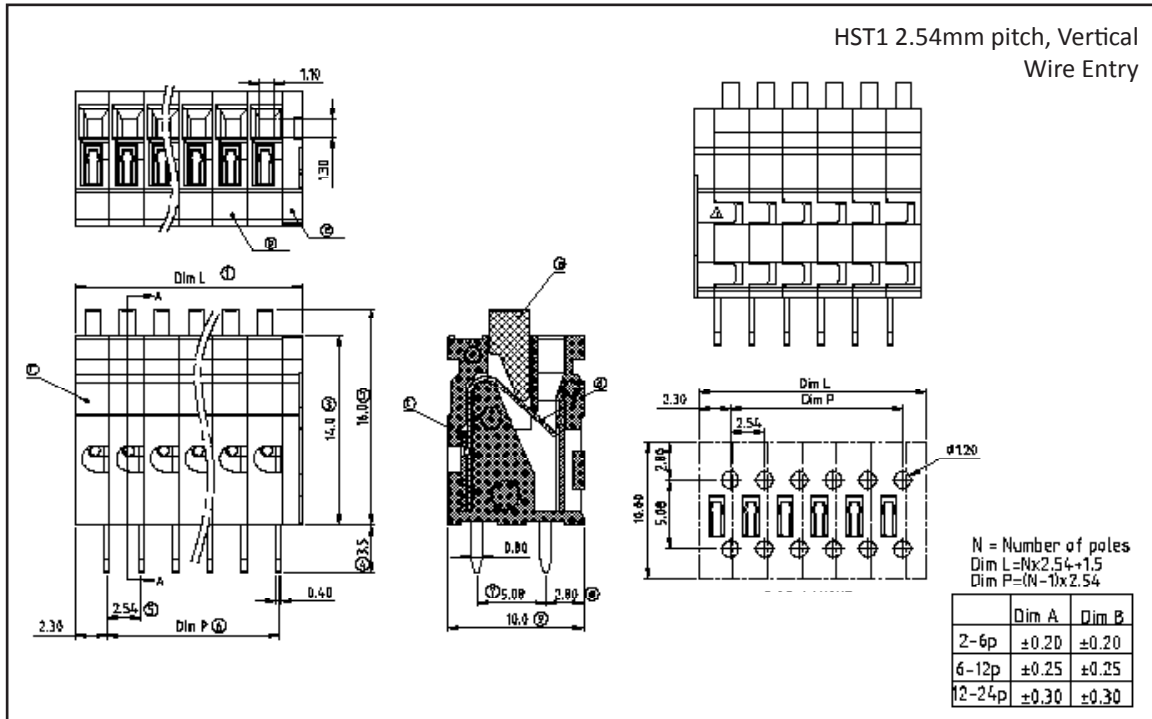
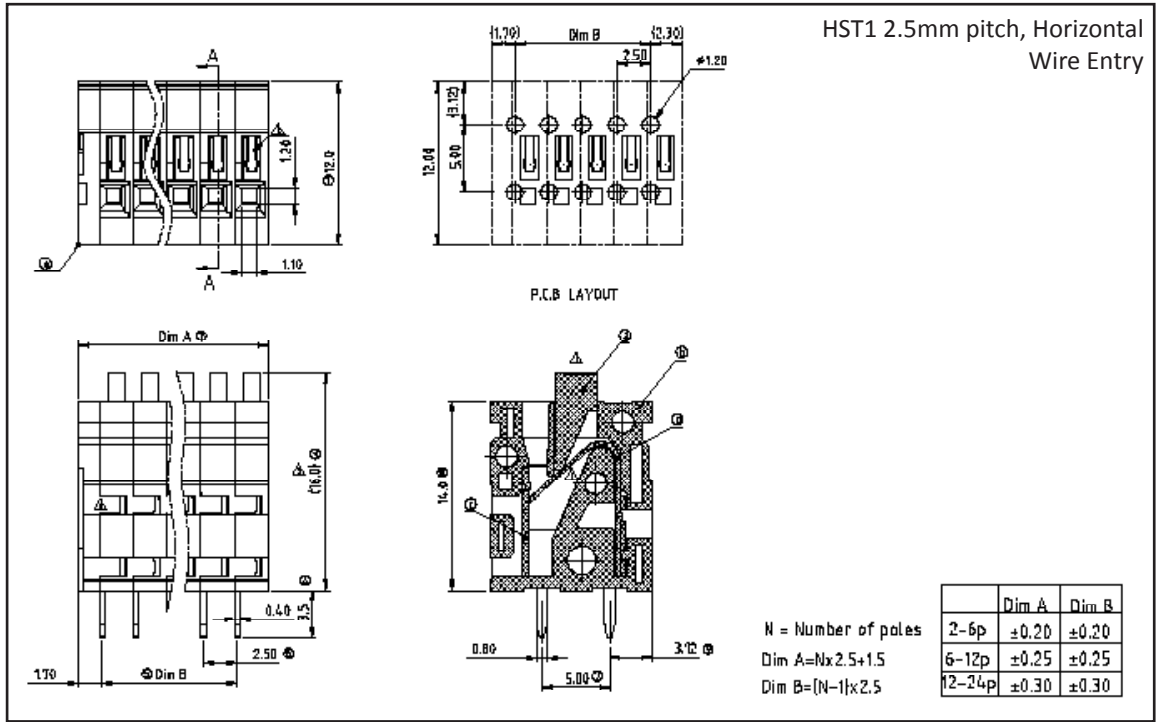
Horizontal Wire Entry

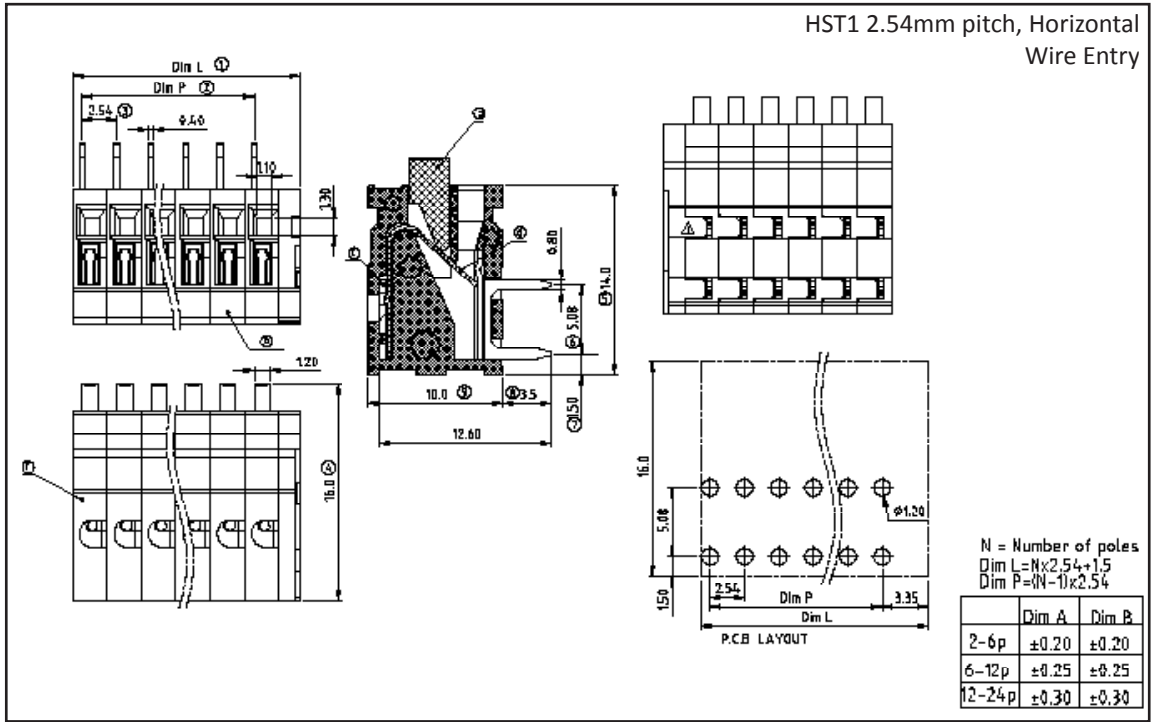
TECHNICAL INFORMATION

HST1 Series		
Pitch Available (mm)	2.5	2.54
Poles Available	2 - 24	2 - 24
Voltage Rating	150V	150V
Current Rating	3A	3A
Withstanding voltage	1.3KV	1.3KV
Operating Temperature	-40°C to +115°C	-40°C to +115°C
Soldering Temperature	250°C ± 10°C / 5Sec	250°C ± 10°C / 5Sec
Wire Strip Length	9~10mm	9~10mm
Solid Wire (AWG)	20 - 28	20 - 28
Stranded Wire (AWG)	20 - 28	20 - 28

DRAWINGS







ORDERING CODES

HST1	XX Poles	X Pitch	X PCB Mounting	X Colour	X	X X X HG
02 2 Contacts 03 3 Contacts 24 24 Contacts	B 2.5mm 5 2.54mm	0 Vertical 1 Horizontal	0 Black 2 Red 5 Green 8 Grey	0 Double Tail		X Special Requests