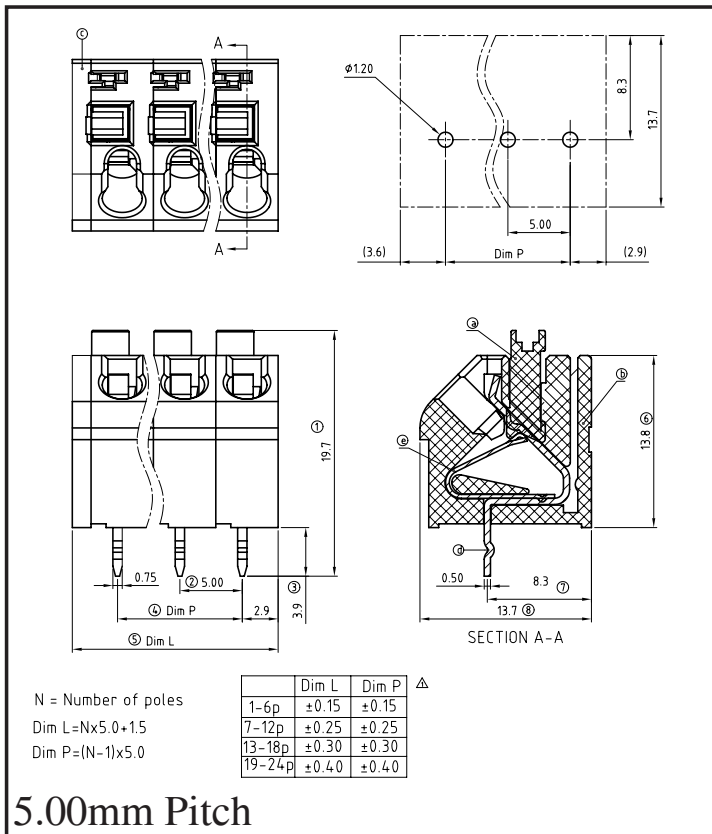
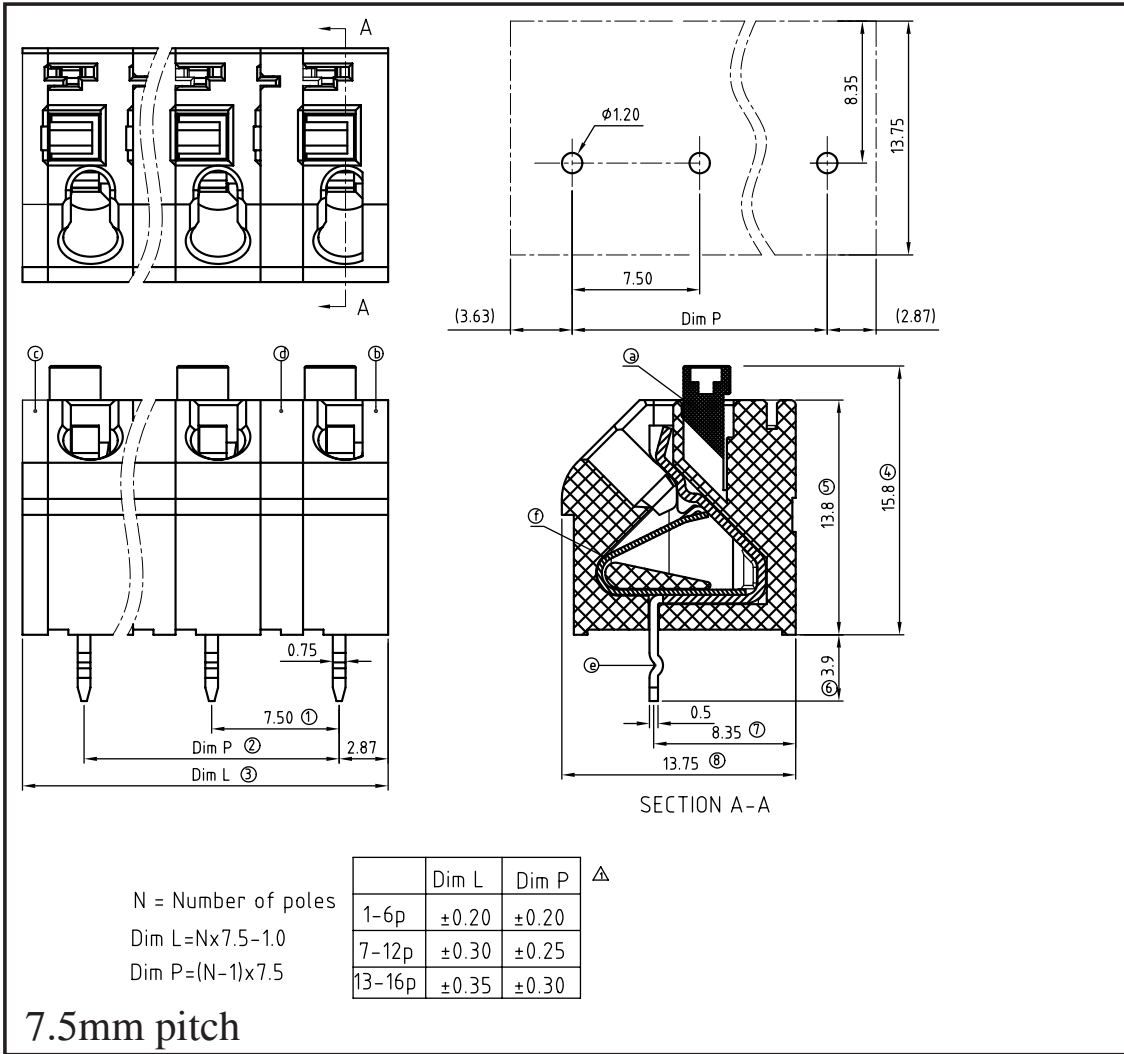


TECHNICAL INFORMATION

HST4 Series		
Pitch Available (mm)	5.00	7.5
Poles Available	2 - 24	2 - 16
Voltage Rating	300V	300V
Current Rating	10A	10A
Solid Wire (AWG)	16 - 20	16 - 20
Withstanding Voltage (KV)	1.6	1.6
Wire Strip Length (mm)	7~8	7~8
Soldering Temperature	250°C ± 10°C / 5 Sec	
Operating Temperature	-40°C to +115 °C	

DRAWINGS





ORDERING CODES

