

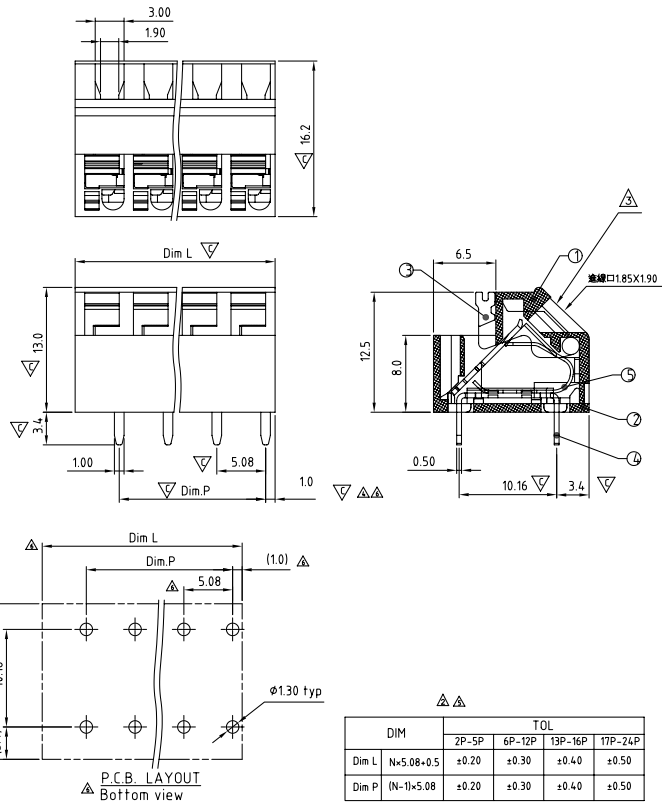
TECHNICAL INFORMATION

| | |
|-----------------------|---------------------|
| HSTD Series | |
| Pitch Available (mm) | 5.08 |
| Poles Available | 2 - 24 |
| Voltage Rating | 250V |
| Current Rating | 12A |
| Withstanding voltage | 1.5KV |
| Operating Temperature | -40°C to +115°C |
| Soldering Temperature | 250°C ± 10°C / 5Sec |
| Wire Strip Length | 6~7mm |
| Solid Wire (AWG) | 16-22 |
| Stranded Wire (AWG) | 16-22 |
| UL File No. | E314038 |

DRAWINGS

ON NEXT PAGE

HSTD 5.08mm Pitch



| | | | | | | |
|-----------------------|--|------------------------|----------|---|------------------------|--------------------|
| HSTD | XX Poles | X Pitch (mm) | 0 | X Colour | X Foot Print | X X X HG |
| 02 03 ... 24 | 2 Contacts 3 Contacts ... 24 Contacts | 0 5.08 | | 8 Grey Body (RAL 7004/P) Orange Button | 0 Double Row | X Special Requests |