

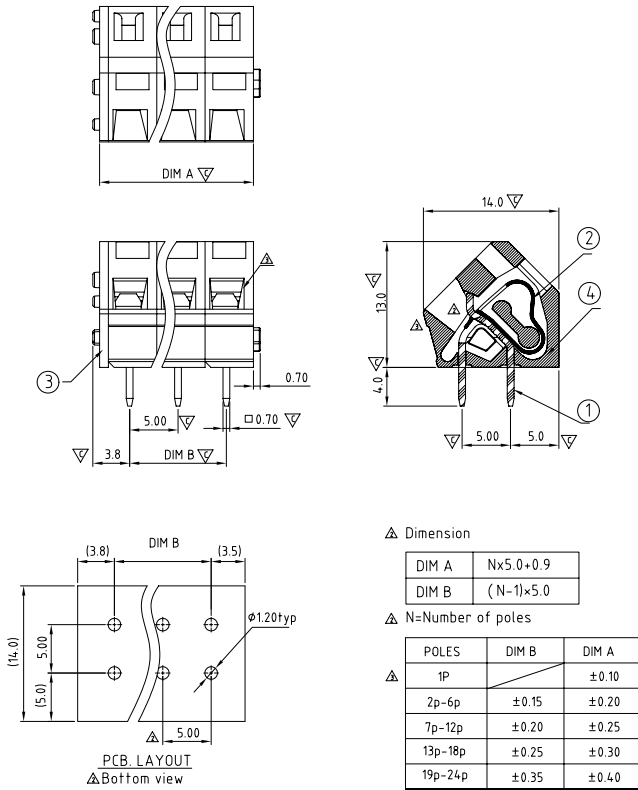
TECHNICAL INFORMATION

HSTG Series			
Pitch Available (mm)	5.00 / 5.08	7.5 / 7.62	10.00 / 10.16
Poles Available	2 - 24	2 - 16	2 - 12
Voltage Rating	300V	300V	300V
Current Rating	15A	15A	15A
Withstanding voltage	1.6KV	1.6KV	1.6KV
Operating Temperature	-40°C to +115°C		
Soldering Temperature	260°C ± 10°C / 5Sec		
Wire Strip Length	5~6mm	5~6mm	5~6mm
Solid Wire (AWG)	12-28	12-28	12-28
Stranded Wire (AWG)	12-28	12-28	12-28
UL File No.	E314038	E314038	E314038

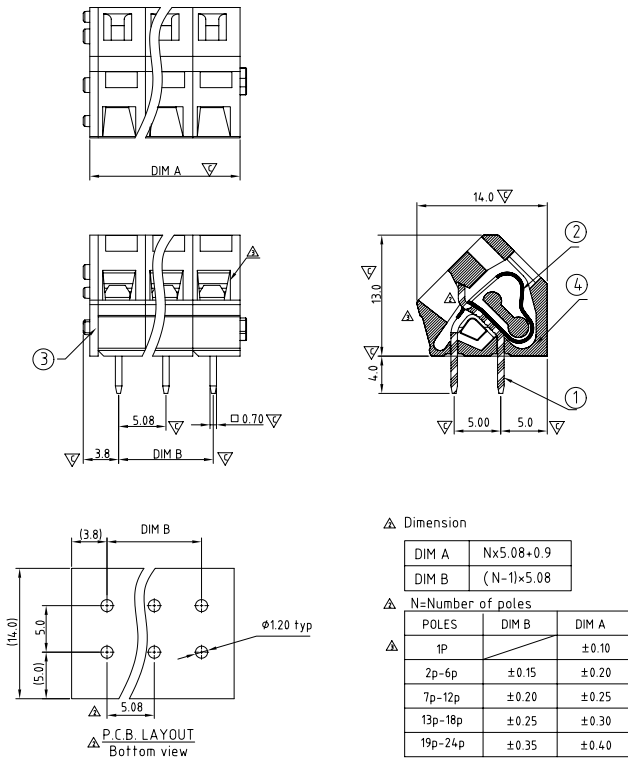
DRAWINGS

ON NEXT PAGE

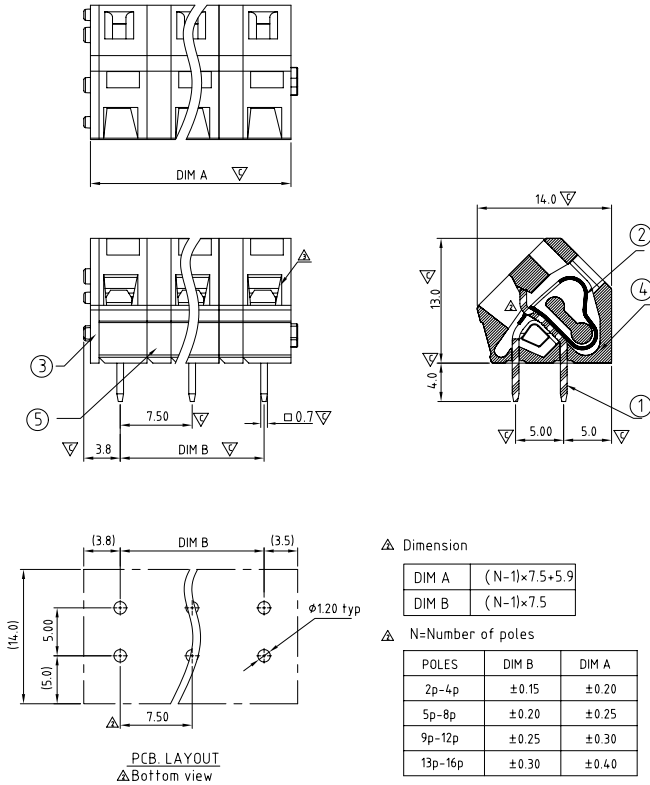
HSTG 5.00mm Pitch



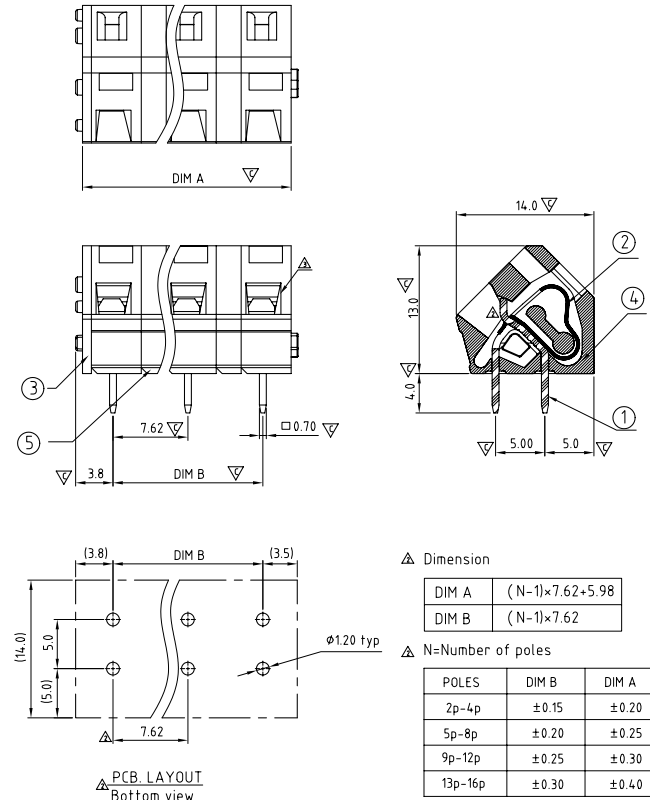
HSTG 5.08mm Pitch



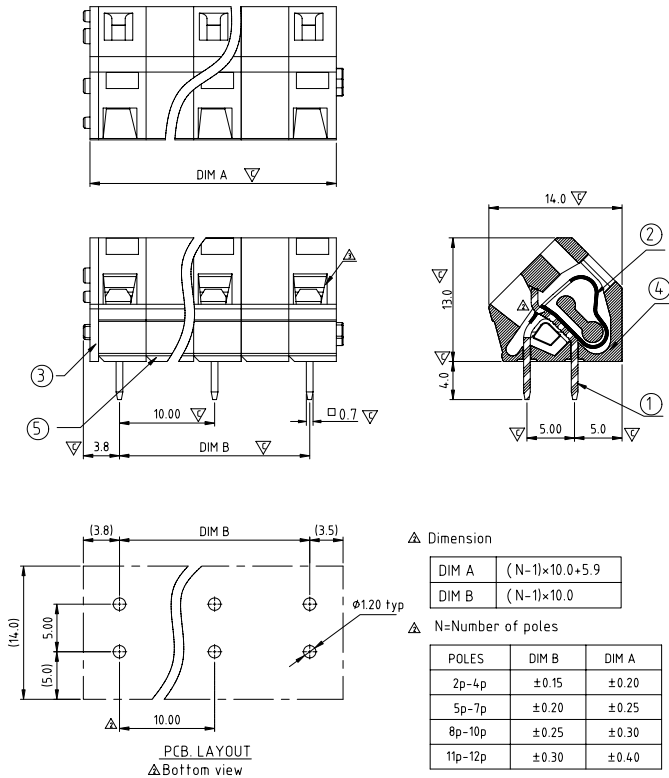
HSTG 7.5mm Pitch



HSTG 7.62mm Pitch



HSTG 10.00mm Pitch



HSTG 10.16mm Pitch

