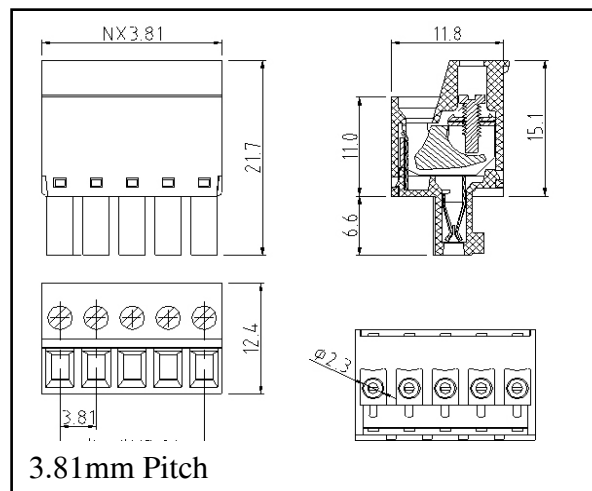
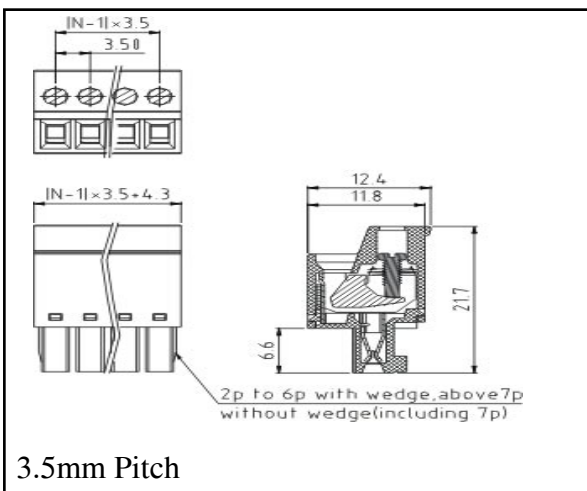


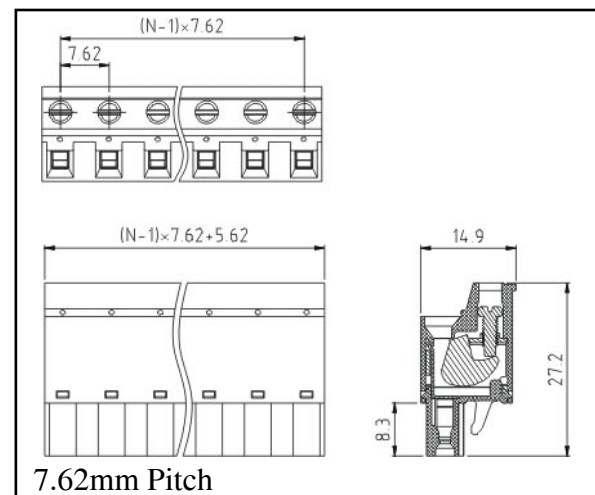
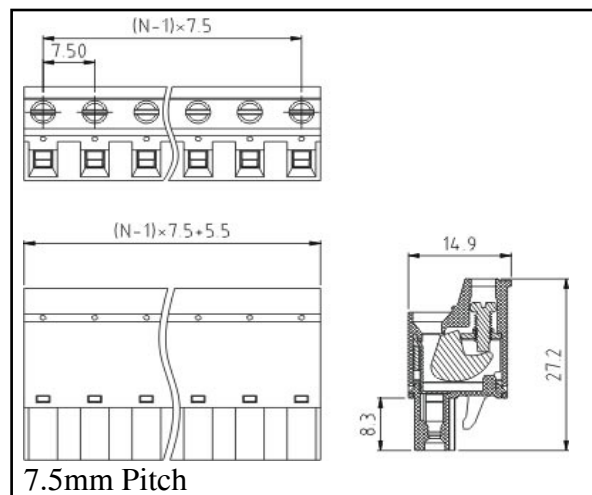
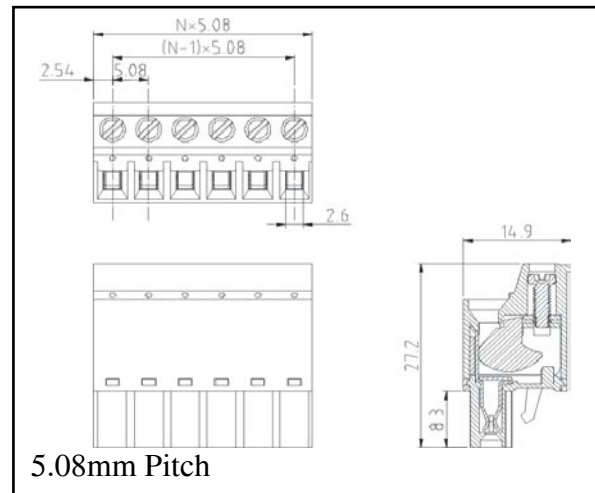
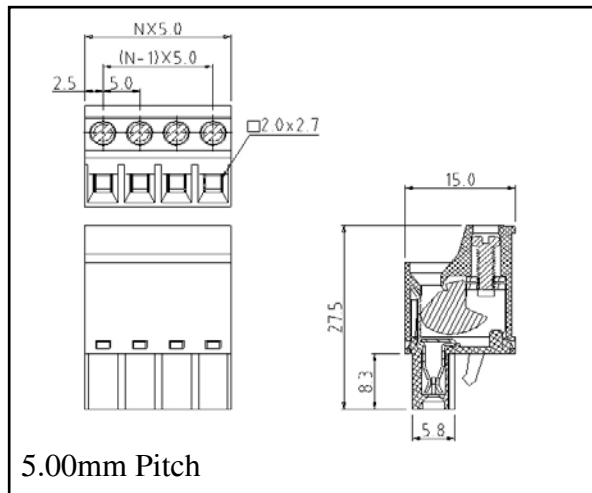
TECHNICAL DATA

HRFF Series			
Pitch Available (mm)	3.5/ 3.81	5.00/ 5.08	7.5/ 7.62
Poles Available	2 - 24	2 - 24	2 - 16
Electrical	cULus	cULus	cULus
Voltage Rating	300V	300V	300V
Current Rating	10A	20A	20A
Solid Wire (AWG)	16-28	12-22	12-22
Stranded Wire	16-28	12-22	12-22
Wire Strip Length	6~7mm	6~7mm	6~7mm
Withstanding voltage	1.6KV	1.6KV	1.6KV

Material:	
Terminal Body (contact pin)	PhBz
Wire Guard	Stainless Steel
Housing	Thermoplastic

DRAWINGS





ORDERING CODES

HRFF	XX	0	X	X	X
	02 2 Contacts 03 3 Contacts ... 24 24 Contacts	0 Without Flange V With Flange	T 3.81mm 1 5.00mm 5 5.08mm 3 7.5mm 7 7.62mm	N Black V Green (RAL6018/T) B Blue G Grey	