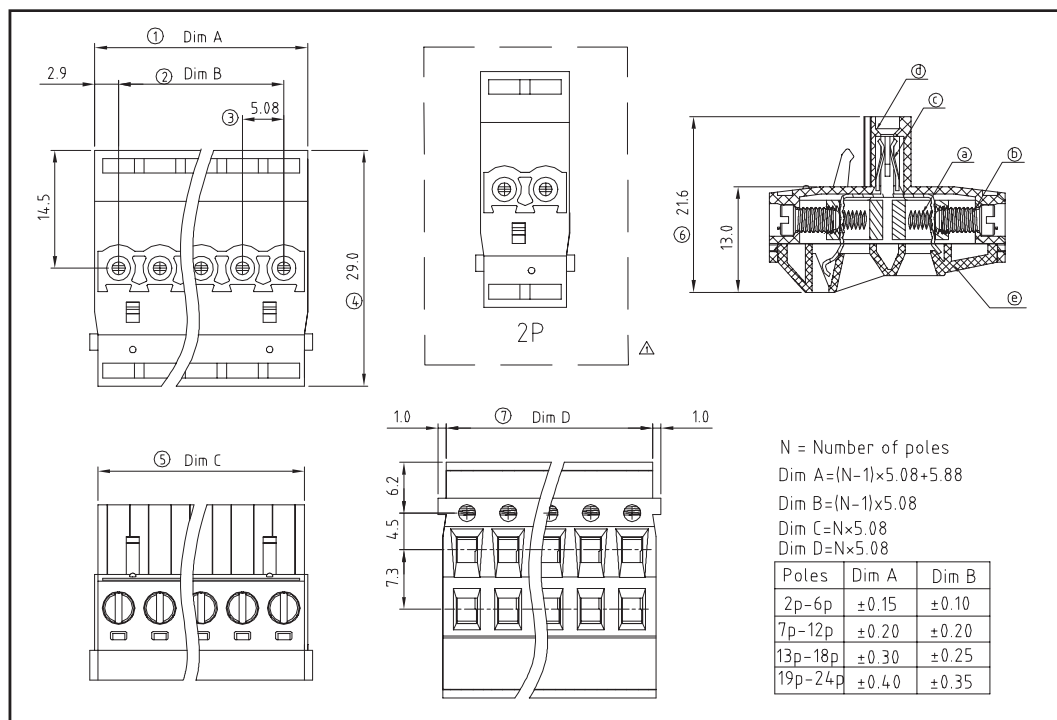


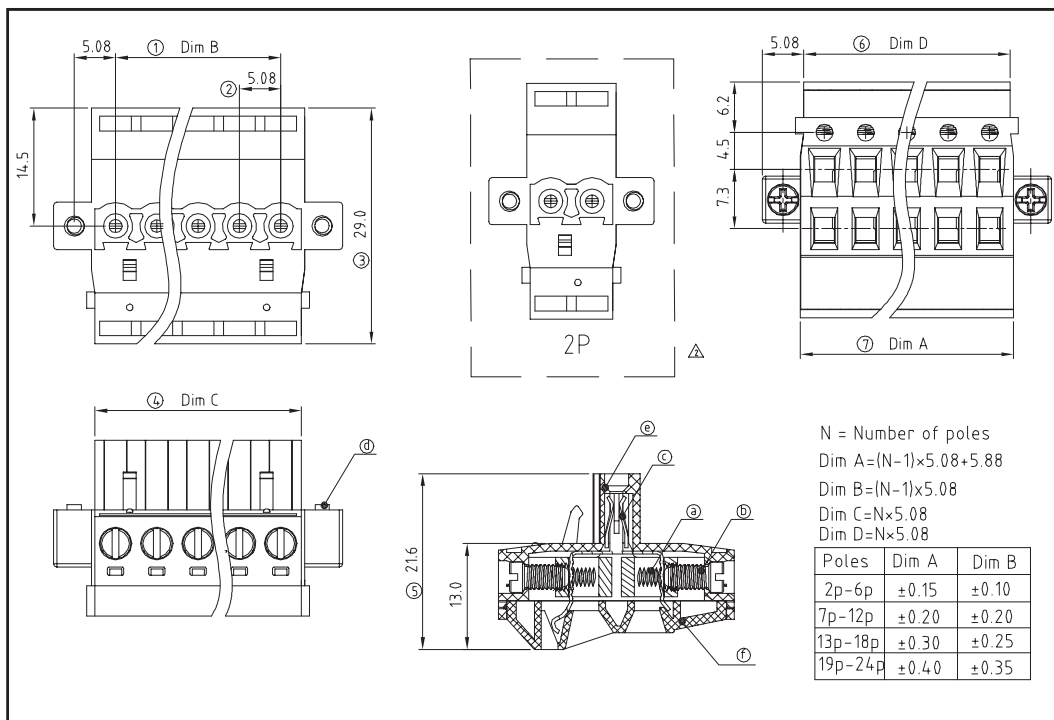


TECHNICAL INFORMATION

HRFK Series	
Pitch Available (mm)	5.08
Poles Available	2 - 24
Voltage Rating	300V
Withstanding Voltage	1.6KV
Current Rating	20A
Wire Strip Length	7~8mm
Solid Wire (AWG)	12 - 24
Stranded Wire (AWG)	12 - 24
Housing	Thermoplastic (UL94V-0)
Operating Temperature	-40°C + 115 °C

DRAWINGS





ORDERING CODES

HRFK	XX	0	X	X	X
02 2 Contacts 03 3 Contacts 24 24 Contacts		0 Without Flange V With Flange		5 5.08mm	N Black V Green (RAL6018/T) B Blue G Grey