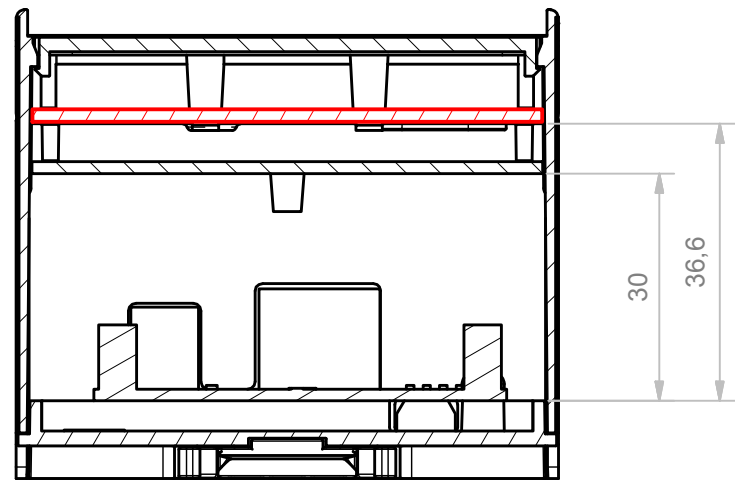
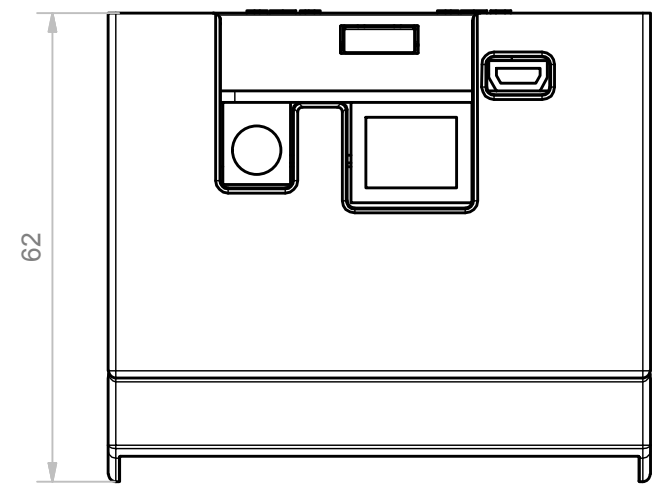
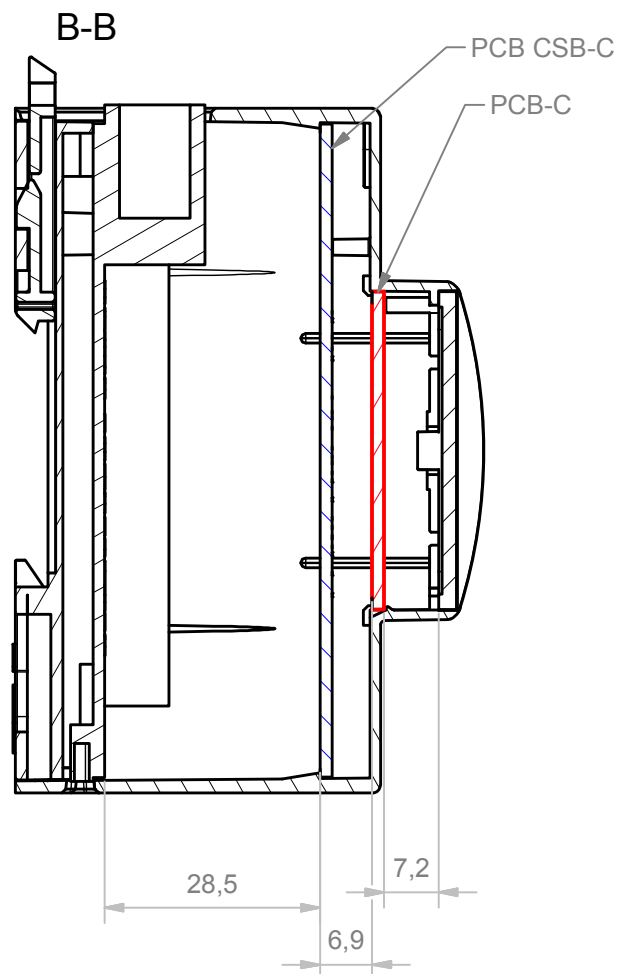
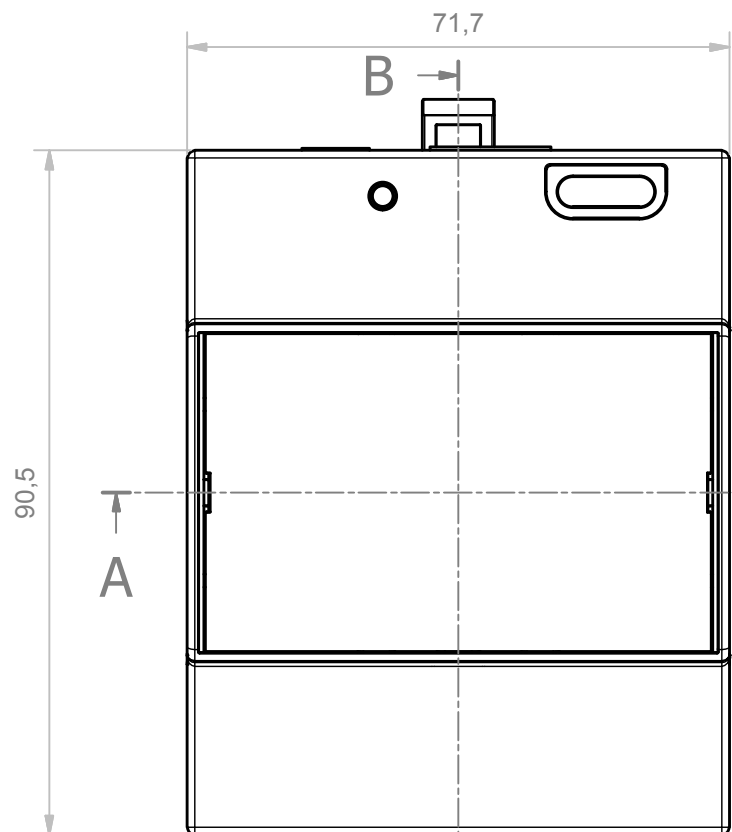
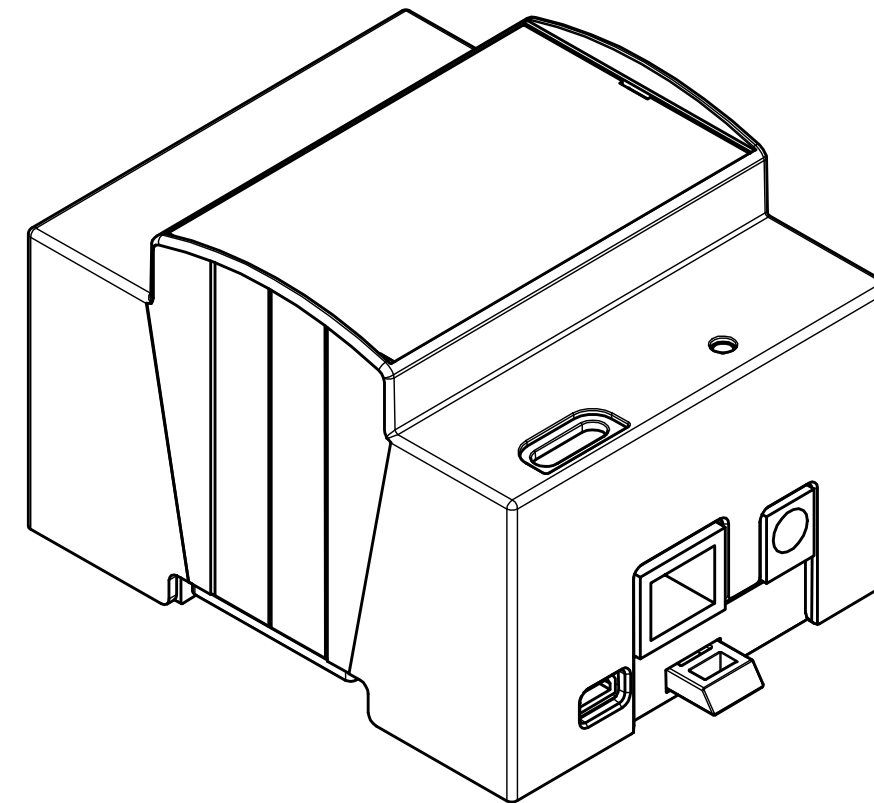


A-A



COMPONENTS LIST		
PCB TYPE	PCB DIMENSION	TOLERANCE
B	67.6X86.4	±0.1 mm
C	67.4X42.0	±0.1 mm



RIF.	Q.TY	DESCRIPTION	DRAWING
2	1	BASE 4M XT BEAGLEBONE	1.001.05203
3	1	PANEL 4M WITHOUT FRAME	1.001.00346
5	1	MODULAR HOOK LONG	1.001.01900
13	1	BODY 4M53-C XTS BEAGLEBONE	2.250.00066
14	1	PCB BEAGLEBONE BLACK (NOT INCLUDED)	8.010.00023
16	2	SCREW 2.9 X 6.5 TRUNC	8.100.00003

General Tolerance UNI EN 22768/1 Media (m)				
from 0.5 to 3	from 3 to 6	from 6 to 30	from 30 to 120	from 120 to 400
± 0.1	± 0.1	± 0.2	± 0.3	± 0.5
Scale: 1 : 1	Sheet nr.: 1 / 1	Drawn: F.F.	Checked:	Date: 24/08/2018
Dimension in mm		Material:	Weight:	Cod. Mold:
 www.italtronic.com techcare@italtronic.com		Description: KIT 4M BEAGLEBONE KYT 4M BEAGLEBONE		Rev. 01
Drawing nr.			3.250.00048	

24/08/2018 F.F. Upd. 01 (cod. 01) M-05339-01

RESERVED PROPERTY: The present drawing cannot be reproduced or communicated to 3rd parties, even partially, without the authorization of ITALTRONIC Srl. Italtronic reserves to protect its own rights according to the law.