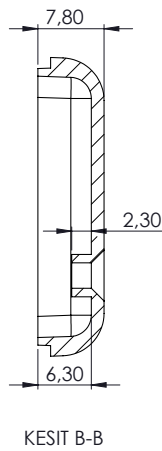
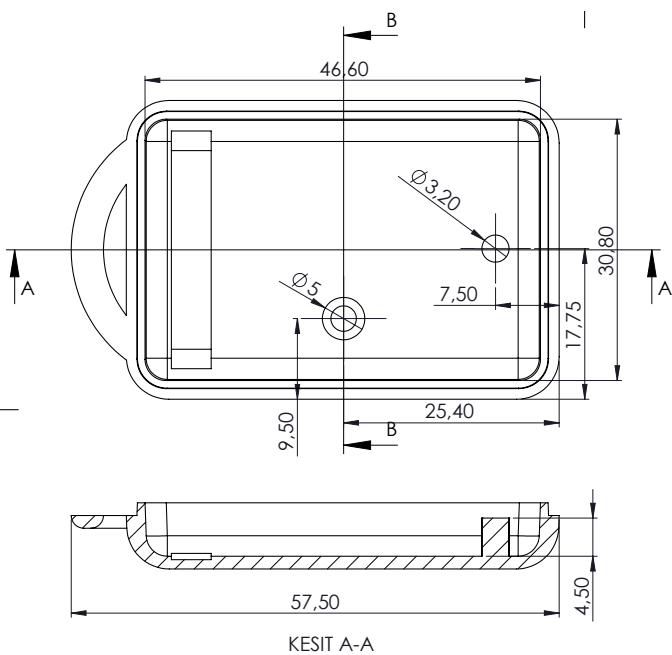
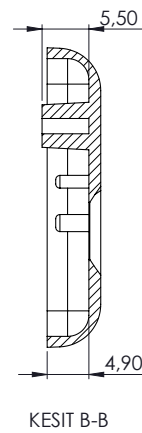
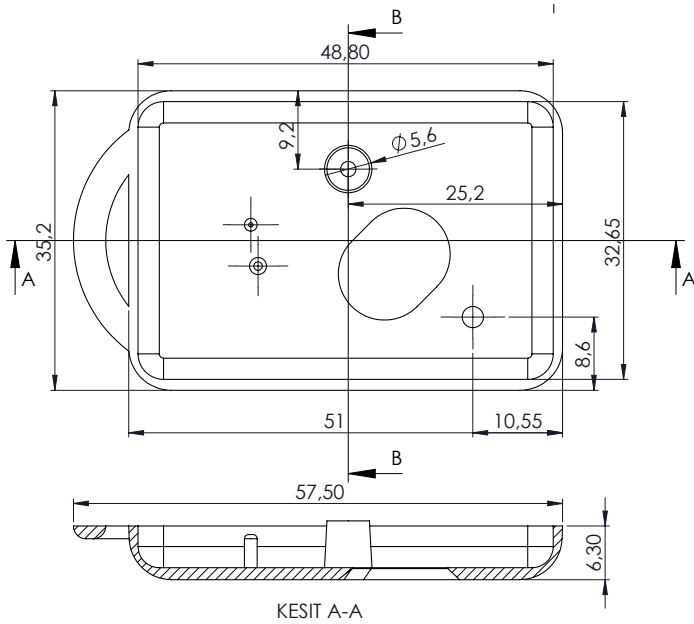


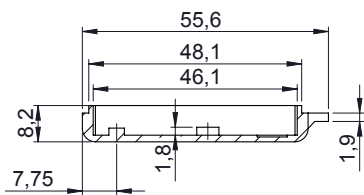
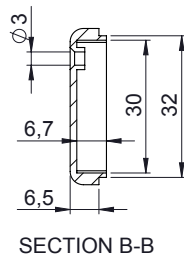
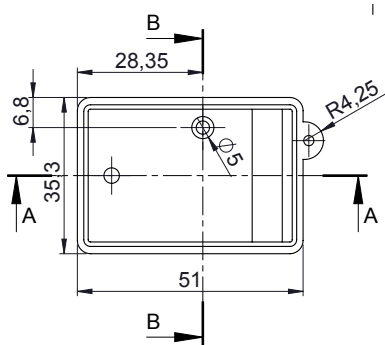


<b>RC-010</b>	
Dimensions (mm)	35 x 50 x 13 mm
Material	ABS
Colours	Black

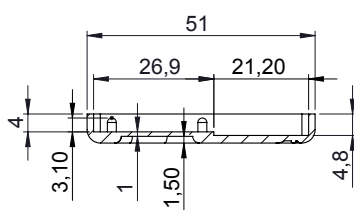
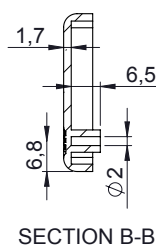
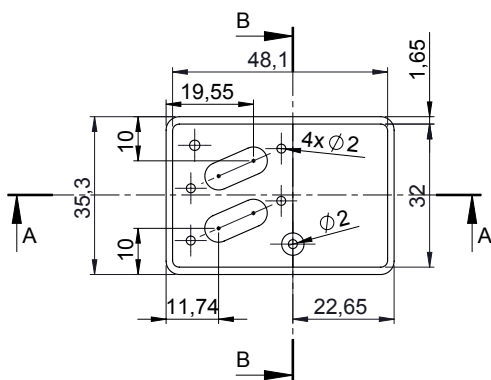
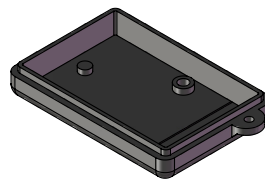




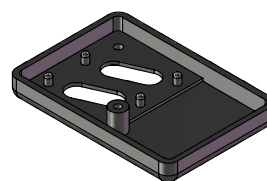
<b>RC-020</b>	
Dimensions (mm)	35 x 50 x 13 mm
Material	ABS
Colours	Black



SECTION A-A

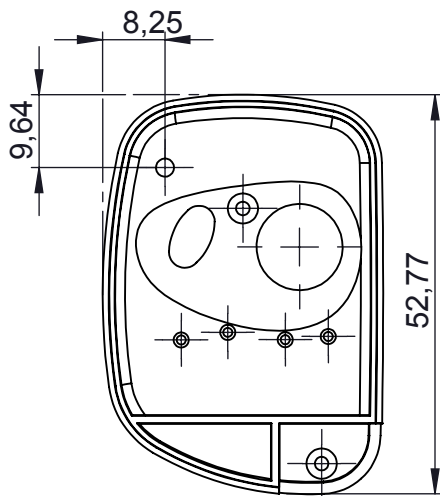


SECTION A-A

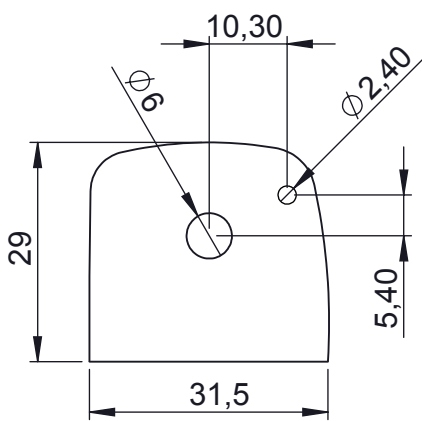




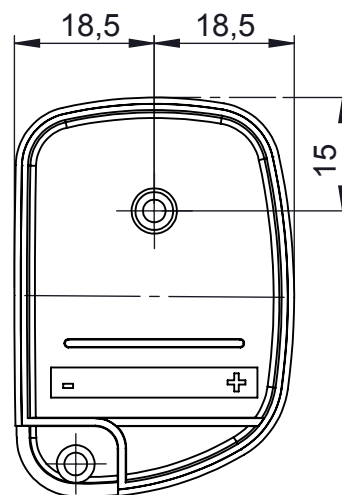
<b>RC-030</b>	
Dimensions (mm)	35 x 50 x 13 mm
Material	ABS
Colours	Black



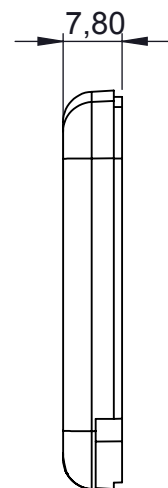
COVER



PCB SAMPLE

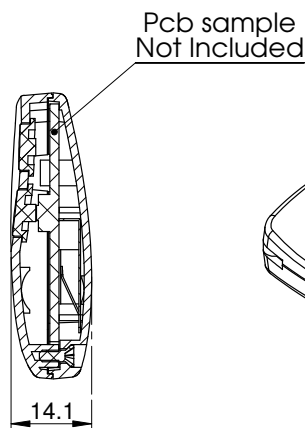
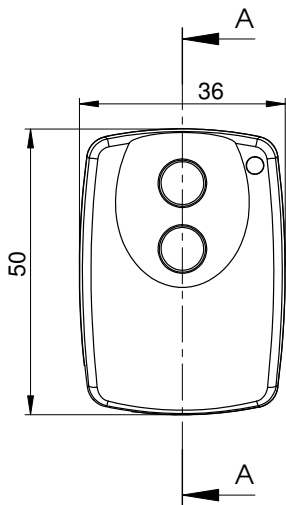


BASE

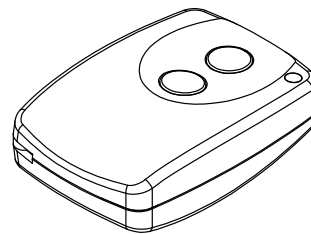




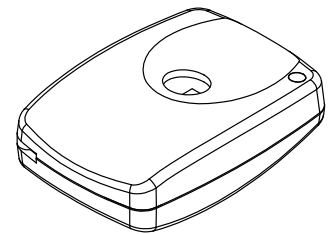
<b>RC-040</b>	
Dimensions (mm)	35 x 50 x 13 mm
Material	ABS
Colours	Black



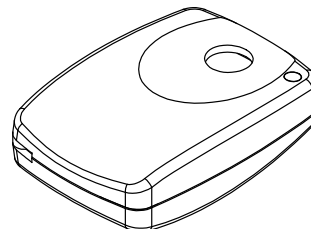
KESIT A-A



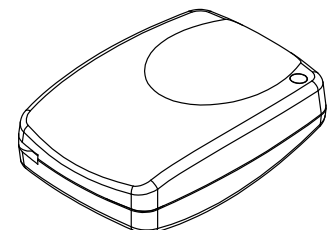
Option 1



Option 2



Option 3



Option 4