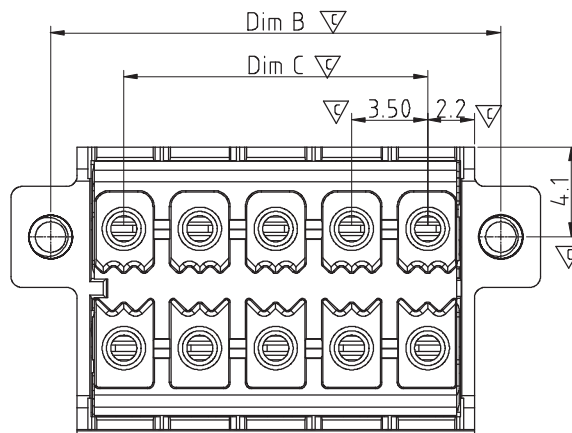
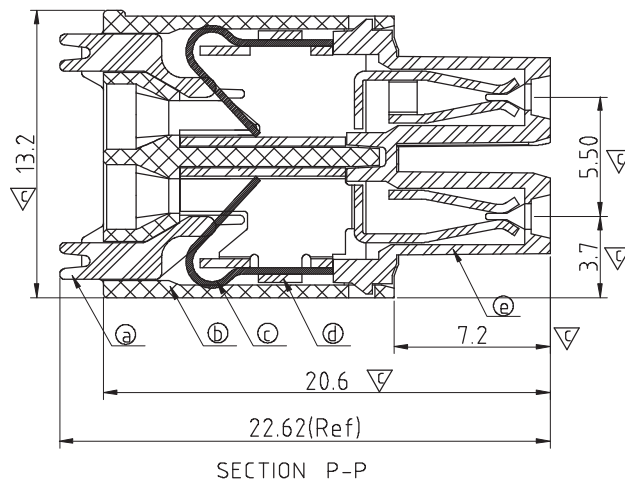
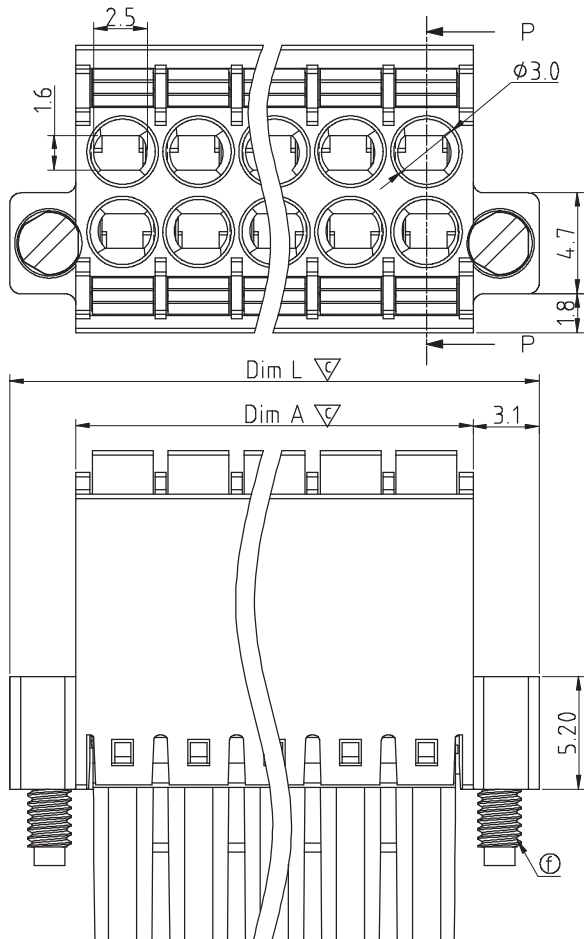


TECHNICAL INFORMATION

Pitch Available (mm)	3.5
Poles Available	4 - 48 (2*2-2*24)
Voltage Rating	300V
Current Rating	5.5A
Solid Wire (AWG)	16-24
Stranded Wire (AWG)	16-24
Wire Strip Length	9-10 mm
Withstanding voltage	1.6KV
Operating temperature	-40°C + 115 °C

DRAWINGS

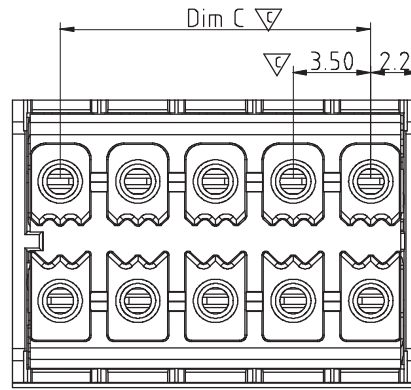
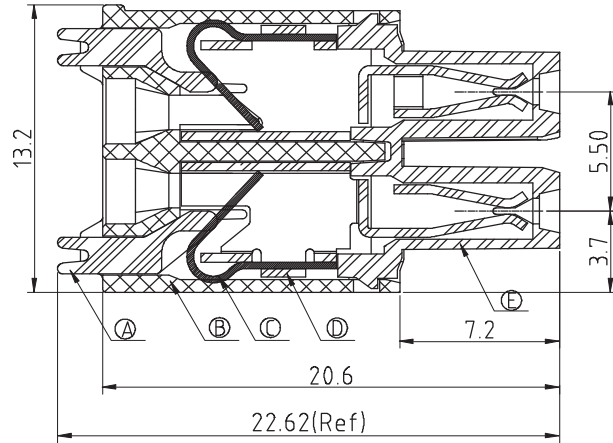
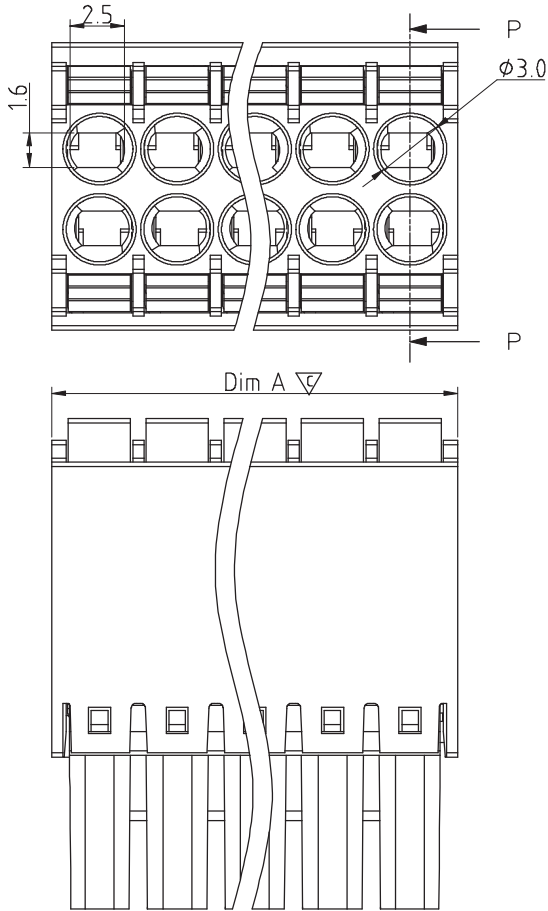


N=Number of poles

$DimL = (N/2 - 1) \times 3.5 + 10.5$
$DimA = (N/2 - 1) \times 3.5 + 4.3$
$DimB = (N/2 - 1) \times 3.5 + 6.75$
$DimC = (N/2 - 1) \times 3.5$

POLES	Tol	Dim.	Dim.L/B	Dim.A/C
2x2p-2x6p			±0.15	±0.15
2x7p-2x12p			±0.25	±0.25
2x13p-2x16p			±0.30	±0.30
2x17p-2x24p			±0.40	±0.40

With Flange



N=Number of poles

$$\text{Dim A} = (N/2 - 1) \times 3.5 + 4.3$$

$$\text{Dim C} = (N/2 - 1) \times 3.5$$

POLES	Dim.		Dim. A/C
	Tot	Dim.	
2x2p-2x6p			±0.15
2x7p-2x12p			±0.25
2x13p-2x16p			±0.30
2x17p-2x24p			±0.40

Without Flange

ORDERING CODES

