



Dimensional class:

low



Standard colour:

green



Height:

10 mm (.394 in)



Max approved wire sections:

solid: 1 mm² (IMQ); 16 AWG (UL)

stranded: 0.5 mm² (IMQ); 16 AWG (UL)

Clamp opening size:

1.4 x 1.7 mm (.055 x .067 in)



Versions:

side stackable,

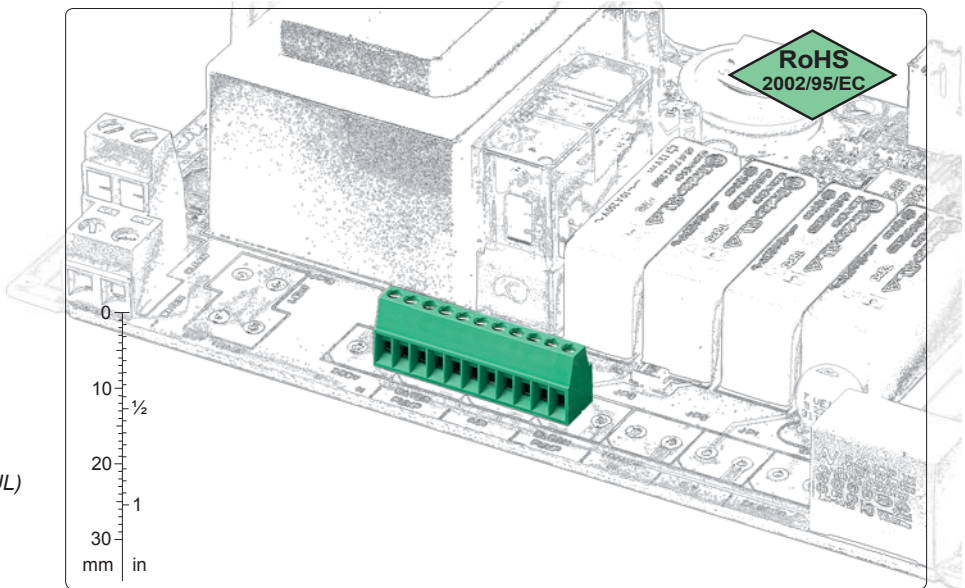
Single mould poles:

from 2 to 12



Pitches:

imperial 2.54 mm, 5.08 mm
(.100 in, .200 in)



pitch 2.54 mm
from 2 to 12 poles
side stackable



pitch 5.08 mm
from 2 to 6 poles
side stackable

Brief description

The MSD series of terminal block is characterized by its **particularly small dimensions** and is ideal for use in PCBs for the **transmission of signals** and/or for low voltage and limited current intensity, particularly when it is necessary to wire a large number of contacts in a small space.

It is available in 2.54 mm (.100 in) and 5.08 mm (.200 in) Imperial pitches in monolithic blocks from 2 to 12 poles.

The monolithic blocks can be side-stacked by adding a pitch between one pitch and another in order to obtain any number of poles. By taking advantage of this particular characteristic a minimum stock of basic terminal blocks can be kept.

It is simple to manage the product, the warehouse and the assembly with the **Kit packages** because several versions can be received with **only one code**, the part-numbers are significantly reduced and the risk of making mistakes is also reduced.

Approvals

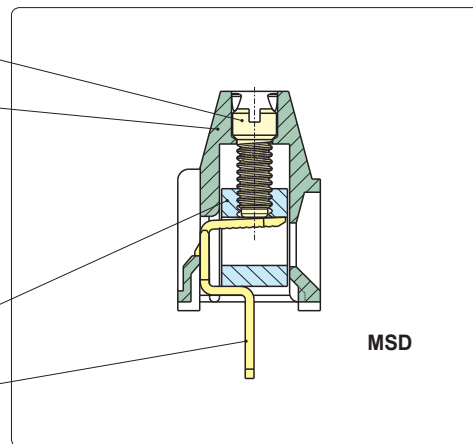
| | | |
|--------|----------------------------|---|
| IEC-EN | IEC: | 130 V - T 110 - 12 A - 1 mm ² solid (6 A - 0.5 mm ² stranded) for 2.54 mm pitch |
| | EN 60998-1 and EN60998-2-1 | 250 V - T 110 - 12 A - 1 mm ² solid (6 A - 0.5 mm ² stranded) for 5.08 mm pitch |
| UL US | UL: | 150 V - 10 A - 30÷16 AWG - 1.73 lbf-in for 2.54 mm pitch |
| | File E 167473 | 300 V - 10 A - 30÷16 AWG - 1.73 lbf-in for 5.08 mm pitch |
| | | Application values for end-use equipment have to be in accordance to UL norms and applicable to it. |
| VDE | VDE: | 125 V - 6 A - T 110 - 0.5 mm ² for 2.54 mm pitch |
| | File n. 40022747 | 250 V - 6 A - T 110 - 0.5 mm ² for 5.08 mm pitch |
| IMQ | IMQ: | 130 V - T 110 - 12 A - 1 mm ² solid (6 A - 0.5 mm ² stranded) for 2.54 mm pitch |
| | File: CA02.00145 | 250 V - T 110 - 12 A - 1 mm ² solid (6 A - 0.5 mm ² stranded) for 5.08 mm pitch |

M1.6 nickel plated copper alloy screw.

PA 6.6 polyamide housing.
Standard colour: GREEN.
V0 self-extinguishing according to UL 94.
Chlorinated solvents resistant,
with no phosphor, dioxin or
detrimental to health halogens.

Nickel plated copper alloy clamp

Easy to solder lead-free
tin-plated copper alloy pin.



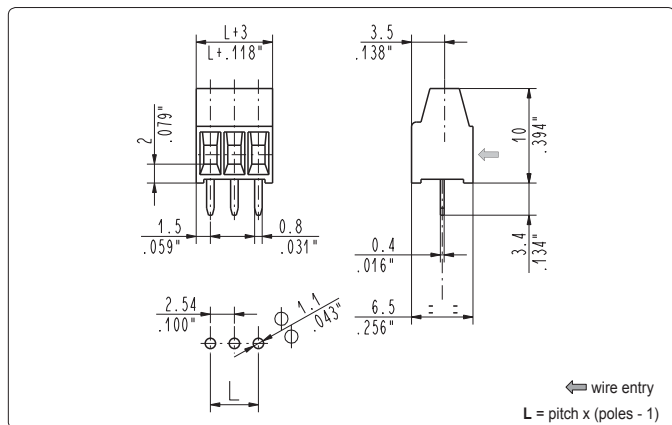
Mechanical characteristics

| | |
|---------------------------------------|-------------------------------------|
| Recommended/highest tightening torque | 0.1/0.15 Nm (0.88/1.33 lbf in) |
| PCB thickness: | max. 2.4 mm (.094 in) |
| PCB hole diameter: | min. 1.1 mm (.043 in) |
| Stripping length | 4 ÷ 5 mm (.16 ÷ .197 in) |
| Operating temperature range | -40 °C ÷ +110 °C (-40 °F ÷ +230 °F) |
| Climatic category | 40/110/21 According to EN 60068-1 |

Electric characteristics*

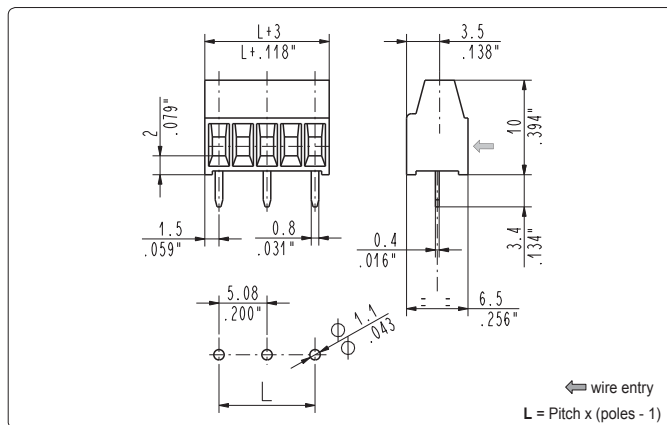
| | |
|-------------------------------------|---|
| Solid wire section | 30÷16 AWG (UL)* 0.05 ÷ 1 mm ² (IMQ)* |
| Stranded wire section | 30÷16 AWG (UL)* 0.05 ÷ 0.5 mm ² (IMQ)* |
| Rated voltage for 2.54 mm (.100 in) | 150 V (UL)* |
| Rated voltage for 5.08 mm (.200 in) | 300 V (UL)* |
| Rated current | 12 A (IMQ)* |
| Contact resistance | <15 mΩ |
| Insulation resistance | >10 ⁹ Ω (500V DC) |

*All the above mentioned data refer to the highest values amongst the certificated ones.
V voltage, I current values and tightening torque are related to the norms to be applied to the product and to its use.



MSD_004 straight, side entry

| 2.54 mm / .100" pitch | | | | | | |
|-----------------------|----------|-----------|---------|------------|---------|--|
| Poles | Code | Pcs/pack. | W [kg]* | Pcs/Ind.** | W [kg]* | |
| 02 | MSD02004 | 400 | 0,28 | 5000 | 3,50 | |
| 03 | MSD03004 | 275 | 0,29 | 5000 | 5,25 | |
| 04 | MSD04004 | 200 | 0,28 | 3000 | 4,20 | |
| 05 | MSD05004 | 150 | 0,26 | 2500 | 4,38 | |
| 06 | MSD06004 | 125 | 0,26 | 2000 | 4,20 | |
| 07 | MSD07004 | 100 | 0,25 | 2000 | 4,90 | |
| 08 | MSD08004 | 100 | 0,28 | 2000 | 5,60 | |
| 09 | MSD09004 | 75 | 0,24 | 1500 | 4,73 | |
| 10 | MSD10004 | 75 | 0,26 | 1500 | 5,25 | |
| 11 | MSD11004 | 50 | 0,19 | 1000 | 3,85 | |
| 12 | MSD12004 | 50 | 0,21 | 1000 | 4,20 | |



MSD_005 straight, side entry

| 5.08 mm / .200" pitch | | | | | | |
|-----------------------|----------|-----------|---------|------------|---------|--|
| Poles | Code | Pcs/pack. | W [kg]* | Pcs/Ind.** | W [kg]* | |
| 02 | MSD02005 | 275 | 0,22 | 5000 | 4,00 | |
| 03 | MSD03005 | 150 | 0,18 | 2500 | 3,00 | |
| 04 | MSD04005 | 100 | 0,16 | 2000 | 3,20 | |
| 05 | MSD05005 | 75 | 0,15 | 1500 | 3,00 | |
| 06 | MSD06005 | 50 | 0,12 | 1000 | 2,40 | |



UK & Ireland

Hitaltech UK Ltd
Unit 5, Sovereign Court
Wyrefields, Poulton-le-Fylde
Lancashire FY6 8JX
United Kingdom

Tel : +44 (0)1253 899910
Fax : +44 (0)1253 899920
E-mail : uksales@hitaltech.com

Hitaltech sa / nv
Chaussée de Tervuren 113A
B-1160 Brussels
Belgium

Tel : +32 (0)2 725 20 75
Fax : +32 (0)2 725 21 35
E-mail : europa-sales@hitaltech.com

Benelux &
other countries

Germany

Hitaltech GmbH
Bautzner Strabe 104
D-01099 DRESDEN
Germany

Tel : +49 (0)351/655 739-11
Fax : +49 (0)0351/655 739-19
E-mail : uta.dietze@villa-stephanie-dresden.de

Hitaltech Corp.
2-50, Sakanoshita
Kamakura
Kanagawa
Japan

Japan

Tel : +81 (0) 467 23 81 00
Fax : +81 (0) 467 23 81 01
E-mail : japan-sales@hitaltech.com