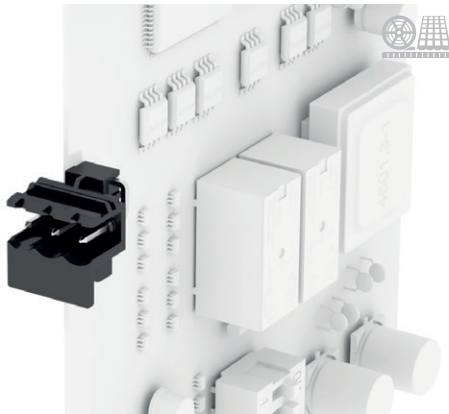


CIMH NORMO-ORTHOGONAL

STH® for reflow soldering

MSL1

New



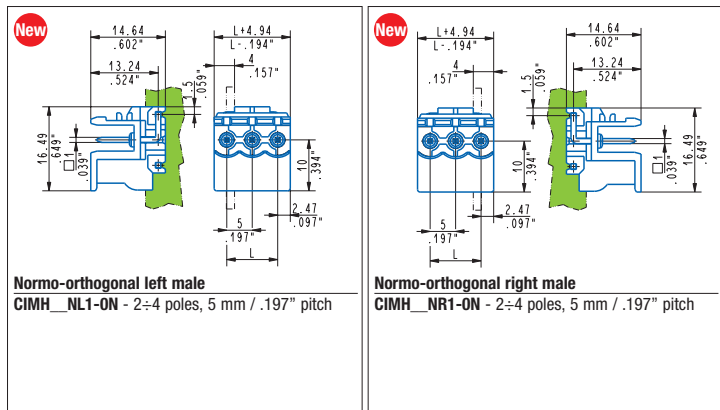
Board to board connection

General data

Dimensional class:	medium
Standard colour:	black
Pitches:	metric 5 mm, (.197 in)
PCB thickness:	max 2.4 mm (.094 in)
PCB hole diameter:	min 1.6 mm (.063 in)
Operating temperature range:	-40 °C ÷ +105 °C (-40 °F ÷ +221 °F)
Contact resistance:	<15 mΩ
Insulation resistance:	>10 ⁹ Ω (500V DC)
Insulating material group:	I (CTI ≥ 600V)

Certifications

UL (n. E167473)
300 V - 12 A



Usable with:

CIF

CVF

CCF

CCF double

CGF

CGFH

