

CIMH

STH® for reflow soldering

MSL1

For resined PCB

Board to board connection

General data

Dimensional class: medium
Standard colour: green
Pitches: metric 5 mm, 7.5 mm, 10 mm (.197 in, .295 in, .394 in)
 imperial 5.08 mm, 7.62 mm, 10.16 mm (.200 in, .300 in, .400 in)
PCB thickness: max 2.4 mm (.094 in)
PCB hole diameter: min 1.5 mm (.059 in)
Operating temperature range: -40 °C ÷ +105 °C (-40 °F ÷ +221 °F)
Contact resistance: <15 mΩ
Insulation resistance: >10⁹ Ω (500V DC)
Insulating material group: I (CTI ≥ 600V)

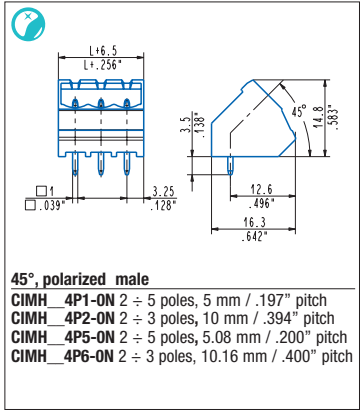
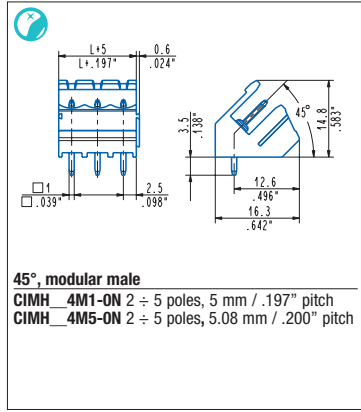
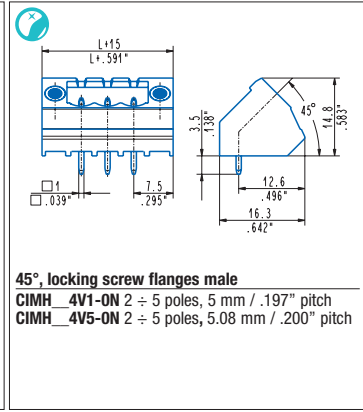
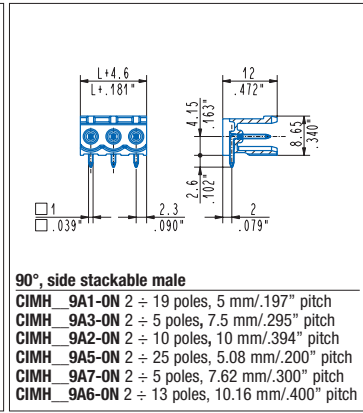
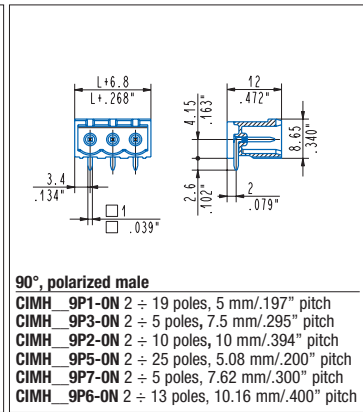
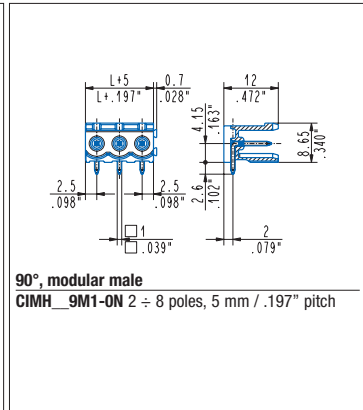
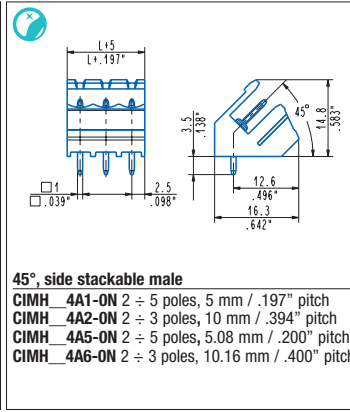
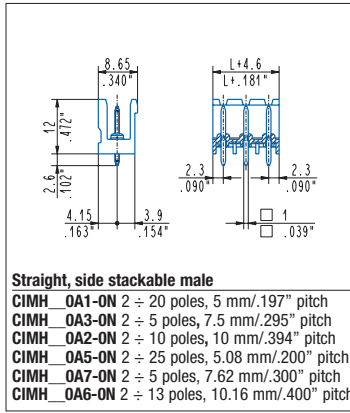
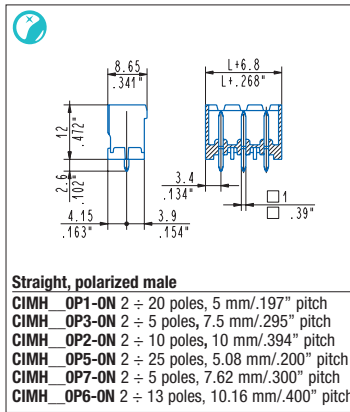
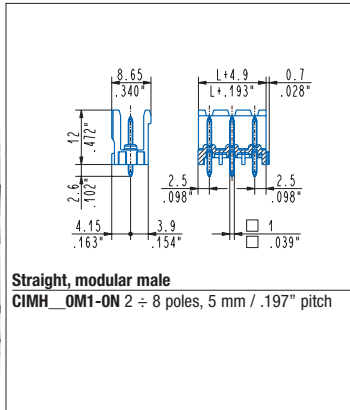
Certifications

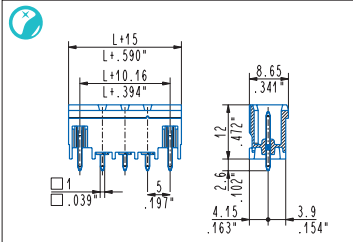
UL (n. E167473)

300 V - 15 A - for 5 mm, 5.08 mm, 7.5 mm and 7.62 mm pitch
 600 V - 15 A - for 10 mm and 10.16 mm pitch

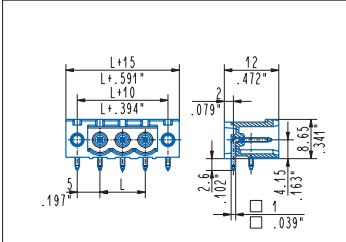
VDE (n. 40027448)

250 V - 16 A - 2.5 mm² - T100 - 2.5 kV - 2 for 5 mm and 5.08 mm pitch
 500 V - 16 A - 2.5 mm² - T100 - 4 kV - 2 for 7.5 mm and 7.62 mm pitch
 750 V - 16 A - 2.5 mm² - T100 - 6 kV - 2 for 10 mm and 10.16 mm pitch

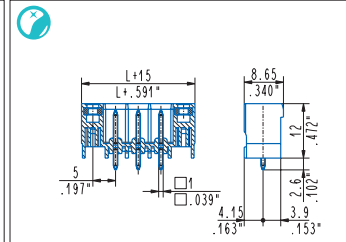




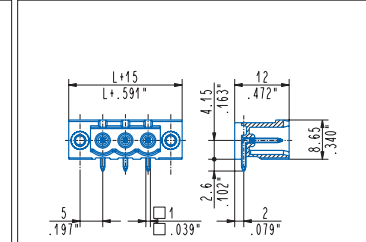
Straight, locking screw flanges male
CIMH_0F1-ON 2÷20 poles, 5 mm / .197" pitch
CIMH_0F5-ON 2÷24 poles, 5.08 mm / .200" pitch



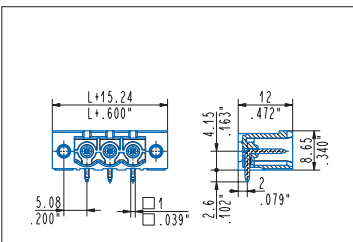
90°, locking screw flanges male
CIMH_9F1-ON 2÷20 poles, 5 mm / .197" pitch
CIMH_9F5-ON 2÷24 poles, 5.08 mm / .200" pitch



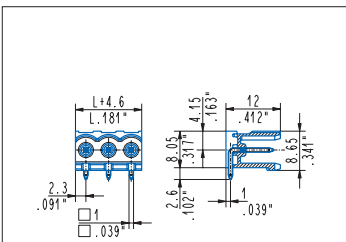
Straight, locking screw flanges male
CIMH_0V1-ON 2÷20 poles, 5 mm / .197" pitch
CIMH_0V2-ON 2÷10 poles, 10 mm / .394" pitch
CIMH_0V5-ON 2÷24 poles, 5.08 mm / .200" pitch
CIMH_0V7-ON 2÷12 poles, 7.62 mm / .300" pitch
CIMH_0V6-ON 2÷12 poles, 10.16 mm / .400" pitch



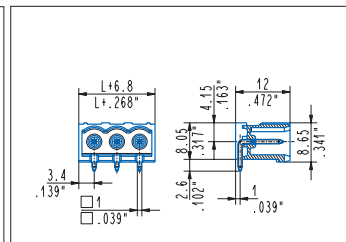
90°, locking screw flanges male
CIMH_9V1-ON 2÷20 poles, 5 mm / .197" pitch
CIMH_9V2-ON 2÷10 poles, 10 mm / .394" pitch
CIMH_9V5-ON 2÷24 poles, 5.08 mm / .200" pitch
CIMH_9V7-ON 2÷12 poles, 7.62 mm / .300" pitch
CIMH_9V6-ON 2÷12 poles, 10.16 mm / .400" pitch



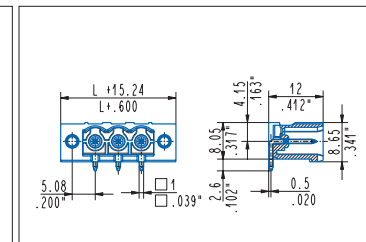
90°, PCB fixing screw flanges
CIMH_9S5-ON 2 ÷ 20 poles, 5.08 mm/.200" pitch
CIMH_9S6-ON 2 ÷ 10 poles, 10 mm / .394" pitch



270°, side stackable male
CIMH_5A1-ON 2 ÷ 19 poles, 5 mm/.197" pitch
CIMH_5A5-ON 2 ÷ 25 poles, 5.08 mm/.200" pitch



270°, polarized male
CIMH_5P1-ON 2 ÷ 19 poles, 5 mm/.197" pitch



270°, locking screw flanges male
CIMH_5V5-ON 2÷24 poles, 5.08 mm / .200" pitch

Usable with:

CIF

CVF

CCF

CCF double

CGF

CGFH

