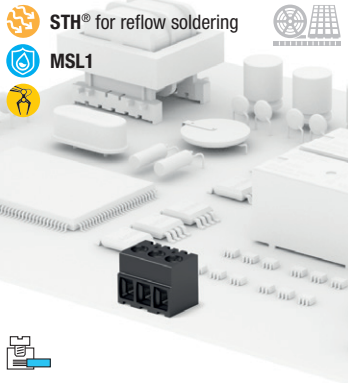
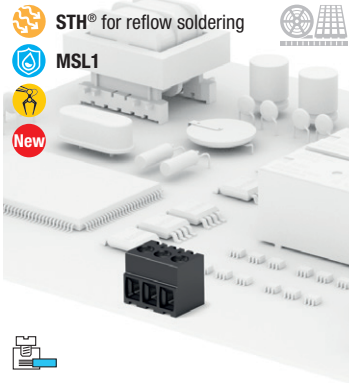


MTBH



MTBD SMD TECHNOLOGY



General data

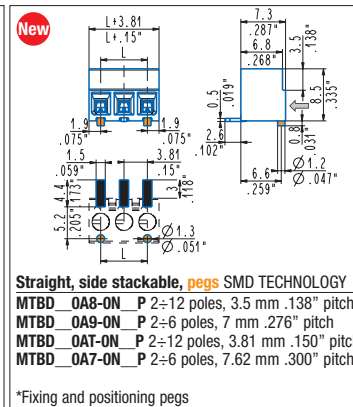
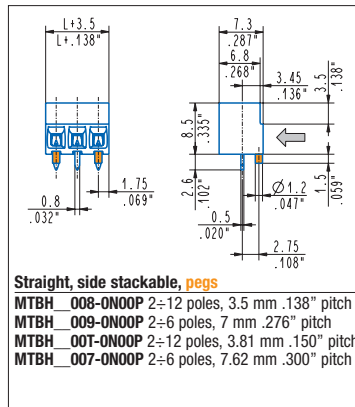
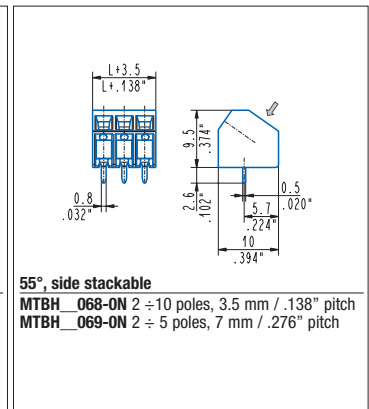
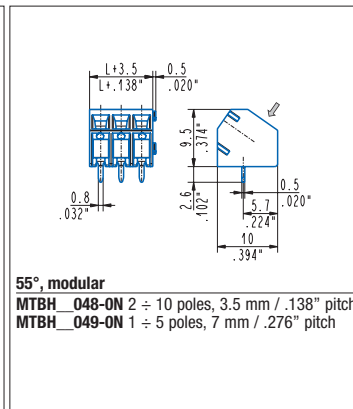
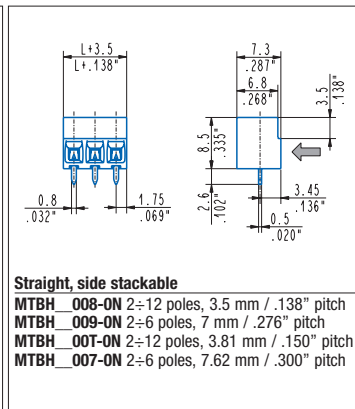
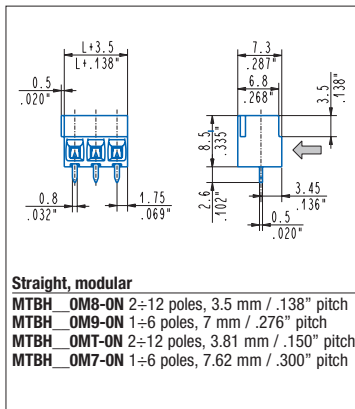
Dimensional class:	low
Standard colour:	black
Pitches:	metric 3.5 mm, 7 mm (.138 in, .275 in) imperial 3.81 mm, 7.62 mm (.150 in, .300 in)
Screw dimension:	M2
Recommended/highest tightening torque:	0.2/0.25 Nm (1.77/2.21 lbf-in)
PCB thickness:	max. 2.4 mm (.094 in)
PCB hole diameter for pin:	min. 1.2 mm (.047 in)
PCB hole diameter for peg:	1.4 mm (.055 in)
Stripping length:	5-6 mm (.197 in)
Operating temp. range:	-40 °C ÷ +130 °C (-40 °F ÷ +266 °F)
Contact resistance:	<15 mΩ
Insulation resistance:	>10 ⁹ Ω (500V DC)
Insulating material group:	I (CTI ≥ 600V)

Certifications

UL (n. pending)
300 V - 12 A - 28÷16 AWG - 2.7 lbf-in

Data according to

IEC EN 60947-7-4
160 V - 12 A - 1.5 mm² for 3.5 mm and 3.81 mm pitch
750 V - 12 A - 1.5 mm² for 7 mm and 7.62 mm pitch



*Fixing and positioning pegs