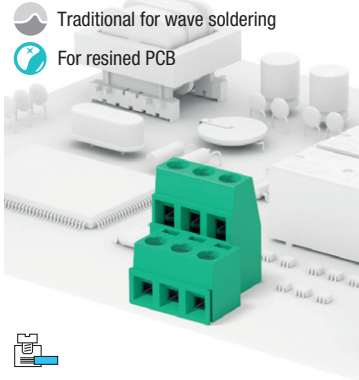


PSB

- Traditional for wave soldering
- For resined PCB



PSBH

- STH® for reflow soldering
- For resined PCB
- MSL1



General data

Dimensional class:	low
Standard colour:	green for wave soldering, black for reflow soldering
Pitches:	metric 5 mm, 10 mm (.197 in, .394 in) imperial 5.08 mm, 10.16 mm (.200 in, .400 in)
Screw dimension:	M3
Recommended/highest tightening torque:	0.5/0.6 Nm (4.42/5.31 lbf-in)
PCB thickness:	max. 2.4 mm (.094 in)
PCB hole diameter:	min. 1.2 mm (.047 in) / 1.4 mm (.055 in) for STH® version
Stripping length:	5 ÷ 6 mm (.197 ÷ .24 in)
Operating temperature range:	-40 °C ÷ +105 °C (-40 °F ÷ +221 °F)
STH operating temperature range:	-40 °C ÷ +105 °C (-40 °F ÷ +221 °F)
Contact resistance:	<15 mΩ
Insulation resistance:	>10 ⁹ Ω (500V DC)
Insulating material group:	I (CTI ≥ 600V)

Certifications

UL (n. E167474)

300 V - 13.5 A (factory wiring), 10 A (field wiring)- 30÷16 AWG - 6 lbf-in for 5 mm, 5.08 mm
600 V - 13.5 A (factory wiring), 10 A (field wiring)- 30÷16 AWG - 6 lbf-in for 10 mm and 10.16 mm pitch

VDE (n. 40022743)

250 V - 13.5 A (10 A for "T" and "K" versions) - T 110 - 1 mm² for 5 mm and 5.08 mm pitch
750 V - 13.5 A (10 A for "T" and "K" versions) - T 110 - 1 mm² for 10 mm and 10.16 mm pitch

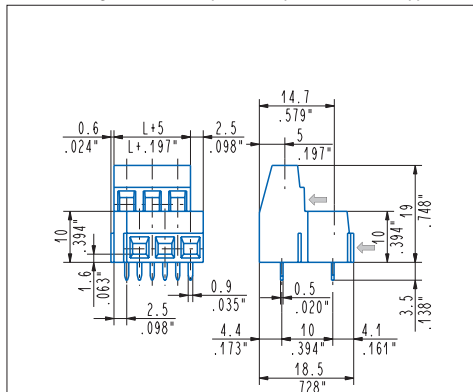
IMQ (n. ED624)

250 V - T 110 - 17.5 A - 1.5 mm² solid (13.5 A - 1 mm² stranded) for 5 mm and 5.08 mm pitch
750 V - T 110 - 17.5 A - 1.5 mm² solid (13.5 A - 1 mm² stranded) for 10 mm and 10.16 mm pitch

CSA (n. LR102896)

300 V - 13.5 A - 30÷15 AWG for 5 mm, 5.08 mm
600 V - 13.5 A - 30÷15 AWG for 10 mm and 10.16 mm pitch

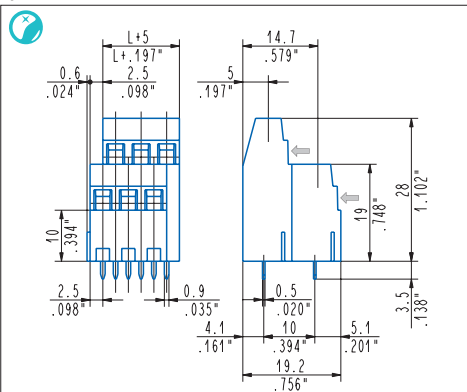
N.B.: For a higher number of poles, the product will be supplied already side-stacked.



1st & 2nd levels modular

- PSB_0D1* - 2 ÷ 3 poles, 5 mm / .197" pitch
- PSB_0D2* - 1 ÷ 2 poles, 10 mm / .394" pitch
- PSB_0D5** - 2 ÷ 3 poles, 5.08 mm / .200" pitch
- PSB_0D6** - 1 ÷ 2 poles, 10.16 mm / .400" pitch
- PSBH_0D1-ON* - 2 ÷ 3 poles, 5 mm / .197" pitch
- PSBH_0D2-ON* - 1 ÷ 2 poles, 10 mm / .394" pitch
- PSBH_0D5-ON** - 2 ÷ 3 poles, 5.08 mm / .200" pitch
- PSBH_0D6-ON** - 1 ÷ 2 poles, 10.16 mm / .400" pitch

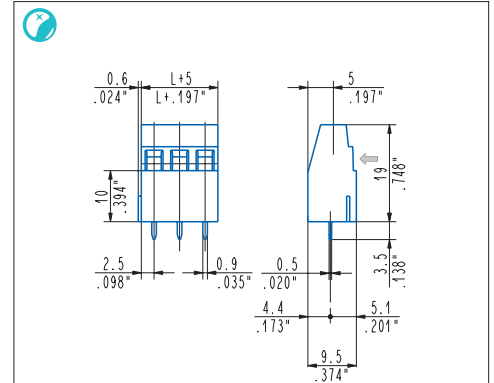
*Single Mould Terminal Blocks / **Assembled Terminal Blocks



2nd & 3rd levels modular

- PSB_0K1* - 2 ÷ 3 poles, 5 mm / .197" pitch
- PSB_0K2* - 1 ÷ 2 poles, 10 mm / .394" pitch
- PSB_0K5** - 2 ÷ 3 poles, 5.08 mm / .200" pitch
- PSB_0K6** - 1 ÷ 2 poles, 10.16 mm / .400" pitch
- PSBH_0K1-ON* - 2 ÷ 3 poles, 5 mm / .197" pitch
- PSBH_0K2-ON* - 1 ÷ 2 poles, 10 mm / .394" pitch
- PSBH_0K5-ON** - 2 ÷ 3 poles, 5.08 mm / .200" pitch
- PSBH_0K6-ON** - 1 ÷ 2 poles, 10.16 mm / .400" pitch

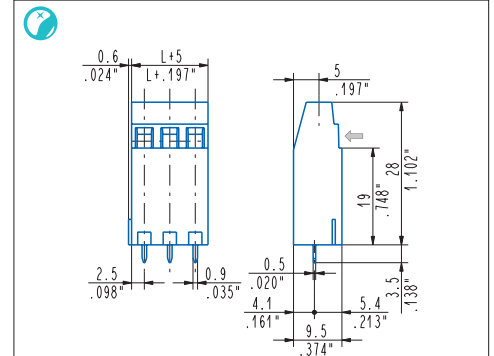
*Single Mould Terminal Blocks / **Assembled Terminal Blocks



Medium tower modular

- PSB_0M1* - 2 ÷ 8 poles, 5 mm / .197" pitch
- PSB_0M2* - 1 ÷ 4 poles, 10 mm / .394" pitch
- PSB_0M5** - 2 ÷ 8 poles, 5.08 mm / .200" pitch
- PSB_0M6** - 1 ÷ 4 poles, 10.16 mm / .400" pitch
- PSBH_0M1-ON* - 2 ÷ 8 poles, 5 mm / .197" pitch
- PSBH_0M2-ON* - 1 ÷ 4 poles, 10 mm / .394" pitch
- PSBH_0M5-ON** - 2 ÷ 8 poles, 5.08 mm / .200" pitch
- PSBH_0M6-ON** - 1 ÷ 4 poles, 10.16 mm / .400" pitch

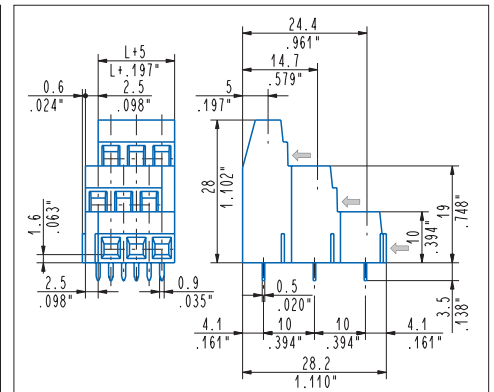
*Single Mould Terminal Blocks / **Assembled Terminal Blocks



High tower modular

- PSB_0H1* - 2 ÷ 3 poles, 5 mm / .197" pitch
- PSB_0H2* - 1 ÷ 2 poles, 10 mm / .394" pitch
- PSB_0H5** - 2 ÷ 3 poles, 5.08 mm / .200" pitch
- PSB_0H6** - 1 ÷ 2 poles, 10.16 mm / .400" pitch
- PSBH_0H1-ON* - 2 ÷ 3 poles, 5 mm / .197" pitch
- PSBH_0H2-ON* - 1 ÷ 2 poles, 10 mm / .394" pitch
- PSBH_0H5-ON** - 2 ÷ 3 poles, 5.08 mm / .200" pitch
- PSBH_0H6-ON** - 1 ÷ 2 poles, 10.16 mm / .400" pitch

*Single Mould Terminal Blocks / **Assembled Terminal Blocks



3 levels modular

- PSB_0T1* - 2 ÷ 3 poles, 5 mm / .197" pitch
- PSB_0T2* - 1 ÷ 2 poles, 10 mm / .394" pitch
- PSB_0T5** - 2 ÷ 3 poles, 5.08 mm / .200" pitch
- PSB_0T6** - 1 ÷ 2 poles, 10.16 mm / .400" pitch
- PSBH_0T1-ON* - 2 ÷ 3 poles, 5 mm / .197" pitch
- PSBH_0T2-ON* - 1 ÷ 2 poles, 10 mm / .394" pitch
- PSBH_0T5-ON** - 2 ÷ 3 poles, 5.08 mm / .200" pitch
- PSBH_0T6-ON** - 1 ÷ 2 poles, 10.16 mm / .400" pitch

*Single Mould Terminal Blocks / **Assembled Terminal Blocks