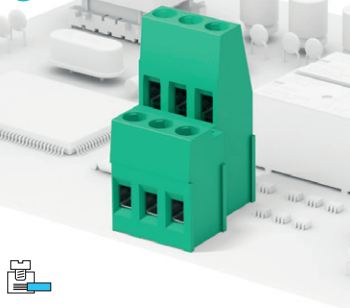


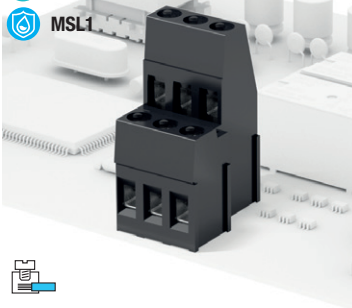
PSQ

- Traditional for wave soldering
- For resined PCB



PSQH

- STH® for reflow soldering
- For resined PCB
- MSL1



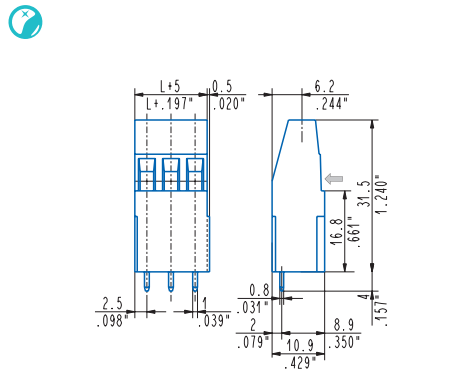
General data

Dimensional class:	high
Standard colour:	green for wave soldering, black for reflow soldering
Pitches:	metric 5 mm, 10 mm (.197 in, .394 in) imperial 5.08 mm, 10.16 mm (.200 in, .400 in)
Screw dimension:	M3
Recommended/highest tightening torque:	0.5/0.6 Nm (4.42/5.31 lbf-in)
PCB thickness:	max. 2.4 mm (.094 in)
PCB hole diameter:	min. 1.4 mm (.055 in)
Stripping length:	6.5 ÷ 7 mm (.26 ÷ .28 in)
Operating temperature range:	-40 °C ÷ +105 °C (-40 °F ÷ +221 °F)
STH operating temperature range:	-40 °C ÷ +105 °C (-40 °F ÷ +221 °F)
Contact resistance:	<15 mΩ
Insulation resistance:	>10 ⁹ Ω (500V DC)
Insulating material group:	I (CTI ≥ 600V)

Certifications

UL (n. E167473)	300 V - 24 A (factory wiring), 20 A (field wiring) - 30÷12 AWG - 7 lbf-in for 5 mm, 5.08 mm pitch 600 V - 24 A (factory wiring), 20 A (field wiring) - 30÷12 AWG - 7 lbf-in for 10 mm and 10.16 mm pitch Application values for end-use equipment have to be in accordance to UL norms and applicable to it.
VDE (n. 40022743)	250 V - 24 A (20 A for "K" and "T" versions) - T 110 - 2.5 mm ² for 5 mm and 5.08 mm pitch 750 V - 24 A (20 A for "K" and "T" versions) - T 110 - 2.5 mm ² for 10 mm and 10.16 mm pitch
IMQ (n. ED623)	250 V - T 110 - 32 A - 4 mm ² solid (24 A - 2.5 mm ² stranded) for 5 mm and 5.08 mm pitch 750 V - T 110 - 32 A - 4 mm ² solid (24 A - 2.5 mm ² stranded) for 10 mm and 10.16 mm pitch
CSA (n. LR102896)	300 V - 24 A - 30÷11 AWG for 5 mm, 5.08 mm pitch 600 V - 24 A - 30÷11 AWG for 10 mm and 10.16 mm pitch

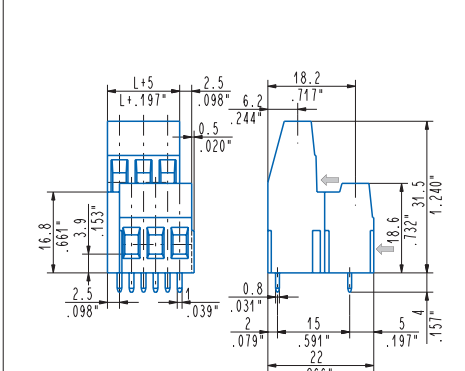
N.B.: For a higher number of poles, the product will be supplied already side-stacked.



Medium tower modular

- PSQ_0M1* - 2 ÷ 8 poles, 5 mm / .197" pitch
- PSQ_0M2* - 1 ÷ 2 poles, 10 mm / .394" pitch
- PSQ_0M5** - 2 ÷ 3 poles, 5.08 mm / .200" pitch
- PSQ_0M6** - 1 ÷ 2 poles, 10.16 mm / .400" pitch

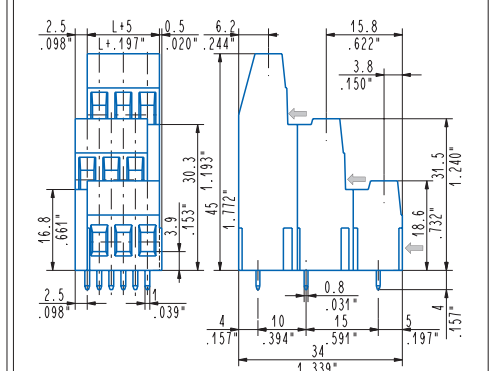
*Single Mould Terminal Blocks / **Assembled Terminal Blocks



1st & 2nd levels modular

- PSQ_0D1* - 2 ÷ 3 poles, 5 mm / .197" pitch
- PSQ_0D2* - 1 ÷ 2 poles, 10 mm / .394" pitch
- PSQ_0D5** - 2 ÷ 3 poles, 5.08 mm / .200" pitch
- PSQ_0D6** - 1 ÷ 2 poles, 10.16 mm / .400" pitch
- PSQH_0D1-0N* - 2 ÷ 3 poles, 5 mm / .197" pitch
- PSQH_0D2-0N* - 1 ÷ 2 poles, 10 mm / .394" pitch
- PSQH_0D5-0N** - 2 ÷ 3 poles, 5.08 mm / .200" pitch
- PSQH_0D6-0N** - 1 ÷ 2 poles, 10.16 mm / .400" pitch

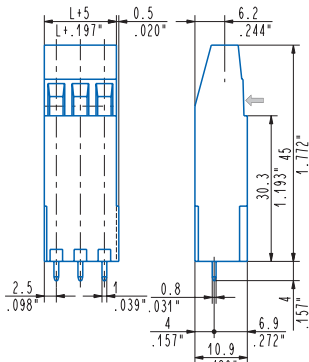
*Single Mould Terminal Blocks / **Assembled Terminal Blocks



3 levels modular

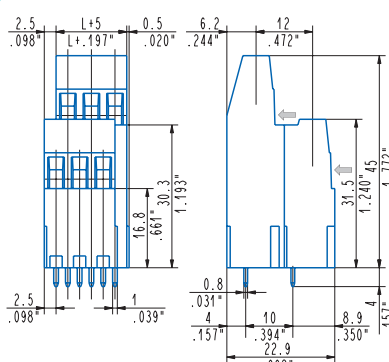
- PSQ_0T1* - 2 ÷ 3 poles, 5 mm / .197" pitch
- PSQ_0T2* - 1 ÷ 2 poles, 10 mm / .394" pitch
- PSQ_0T5** - 2 ÷ 3 poles, 5.08 mm / .200" pitch
- PSQ_0T6** - 1 ÷ 2 poles, 10.16 mm / .400" pitch

*Single Mould Terminal Blocks / **Assembled Terminal Blocks



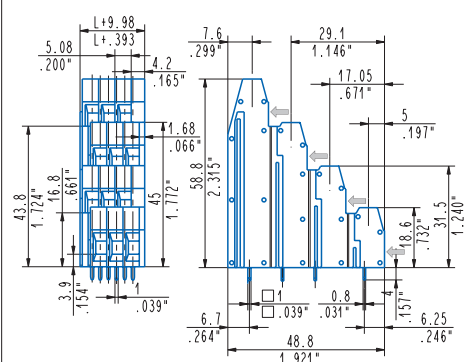
High tower modular

- PSQ_OH1*** - 2 ÷ 3 poles, 5 mm / .197" pitch
 - PSQ_OH2*** - 1 ÷ 2 poles, 10 mm / .394" pitch
 - PSQ_OH5**** - 2 ÷ 3 poles, 5.08 mm / .200" pitch
 - PSQ_OH6**** - 1 ÷ 2 poles, 10.16 mm / .400" pitch
- *Single Mould Terminal Blocks / **Assembled Terminal Blocks



2nd & 3rd levels modular

- PSQ_OK1*** - 2 ÷ 3 poles, 5 mm / .197" pitch
 - PSQ_OK2*** - 1 ÷ 2 poles, 10 mm / .394" pitch
 - PSQ_OK5**** - 2 ÷ 3 poles, 5.08 mm / .200" pitch
 - PSQ_OK6**** - 1 ÷ 2 poles, 10.16 mm / .400" pitch
- *Single Mould Terminal Blocks / **Assembled Terminal Blocks



4 levels

- PSQ_005**** - 2 ÷ 14 poles, 5.08 mm / .200" pitch
 - PSQ_006**** - 1 ÷ 12 poles, 10.16 mm / .400" pitch
- **Assembled Terminal Blocks