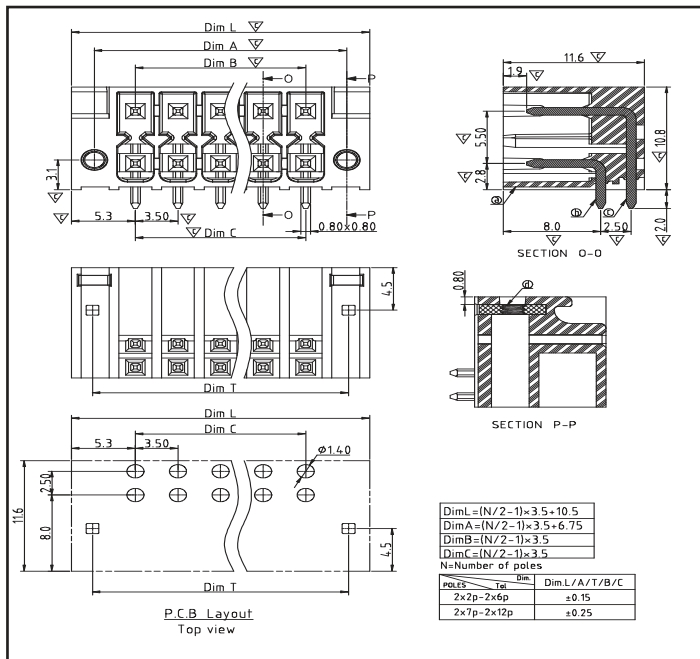


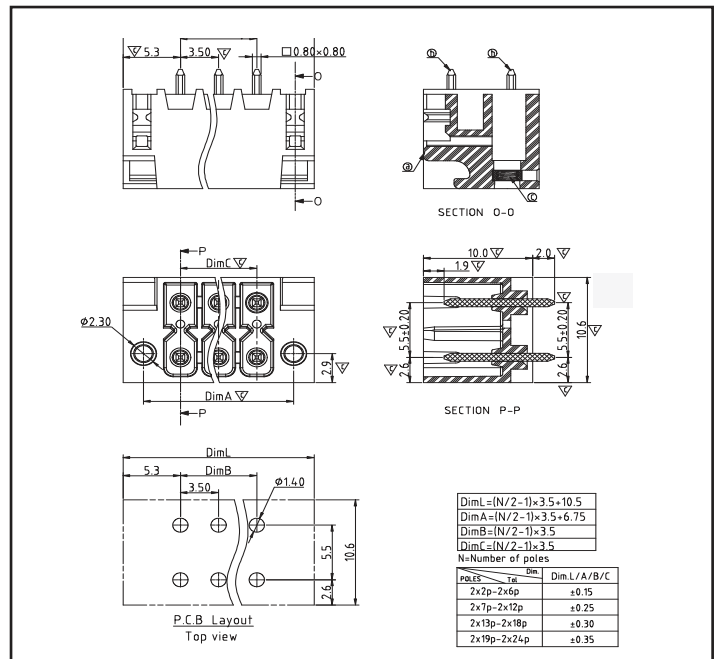
TECHNICAL INFORMATION

Series	
Pitch Available (mm)	3.5
Poles Available	4-48 (2*2 - 2*24)
Voltage Rating	150V
Current Rating	5.5A
Withstanding voltage	1.3KV
Operating Temperature	-40°C to +130°C
Soldering Temperature	260°C / 10 Sec
Mating Connector	HSFO Series

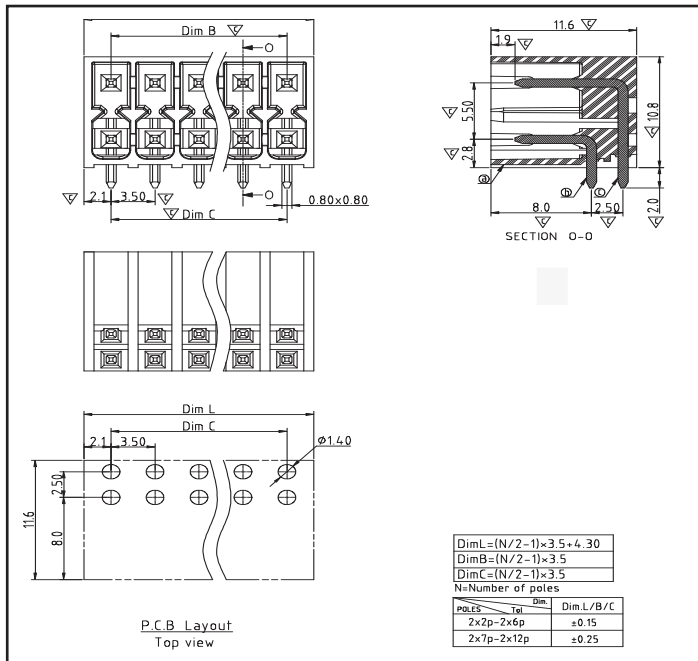
DRAWINGS



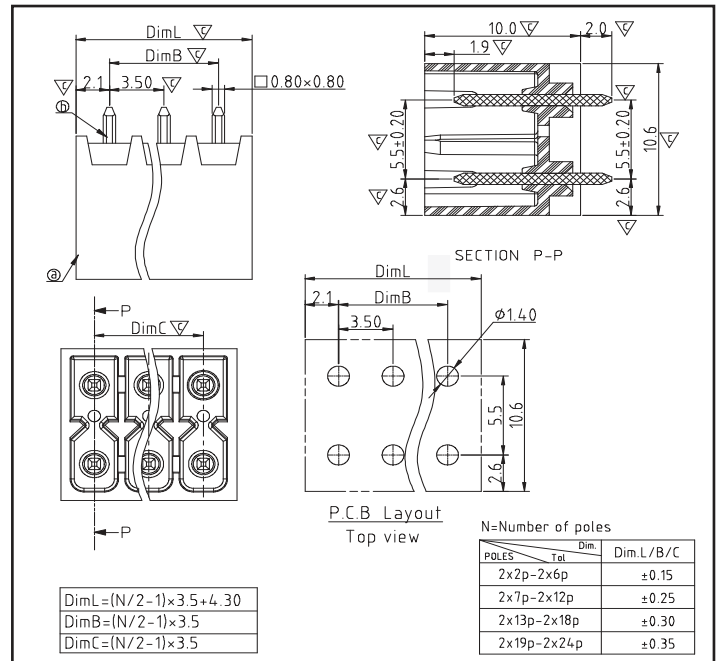
Horizontal with Flange



Vertical with Flange



Horizontal Without Flange



Vertical Without Flange

ORDERING CODES

