



**WITH FLANGE**

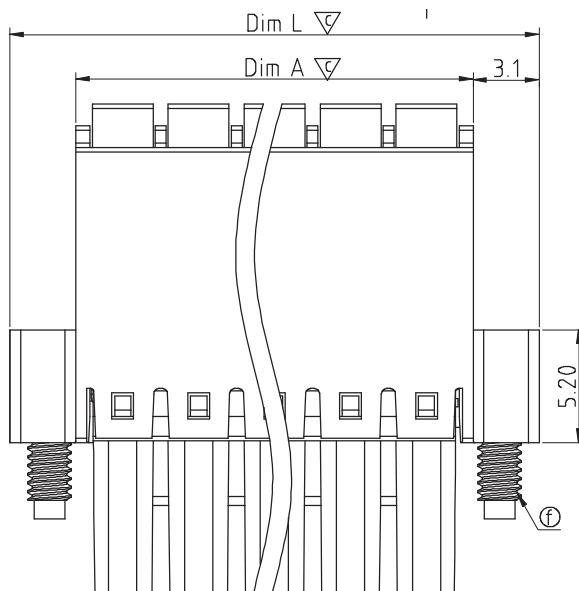
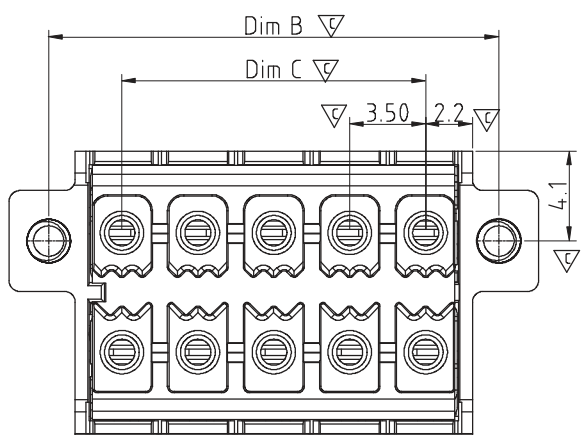
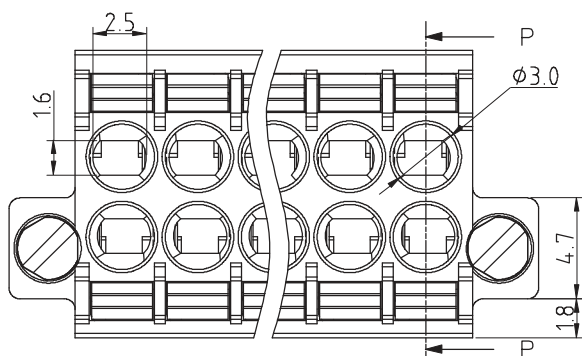


**WITHOUT FLANGE**

### TECHNICAL INFORMATION

Pitch Available (mm)	3.5
Poles Available	4 - 48 (2*2-2*24)
Voltage Rating	300V
Current Rating	5.5A
Solid Wire (AWG)	16-24
Stranded Wire (AWG)	16-24
Wire Strip Length	9-10 mm
Withstanding voltage	1.6KV
Operating temperature	-40°C + 115 °C

### DRAWINGS



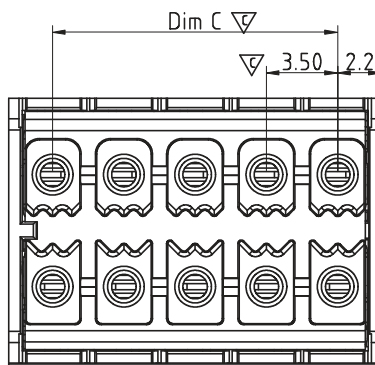
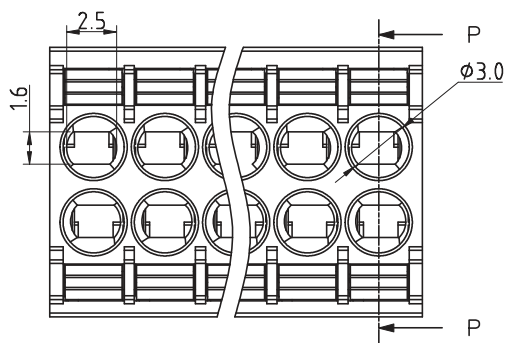
**With Flange**

$$\begin{aligned} \text{Dim L} &= (N/2-1) \times 3.5 + 10.5 \\ \text{Dim A} &= (N/2-1) \times 3.5 + 4.3 \\ \text{Dim B} &= (N/2-1) \times 3.5 + 6.75 \\ \text{Dim C} &= (N/2-1) \times 3.5 \end{aligned}$$

N=Number of poles

POLES	Dim.		
	Tot.	Dim. L/B	Dim. A/C
2x2p-2x6p		±0.15	±0.15
2x7p-2x12p		±0.25	±0.25
2x13p-2x16p		±0.30	±0.30
2x17p-2x24p		±0.40	±0.40

## Without Flange

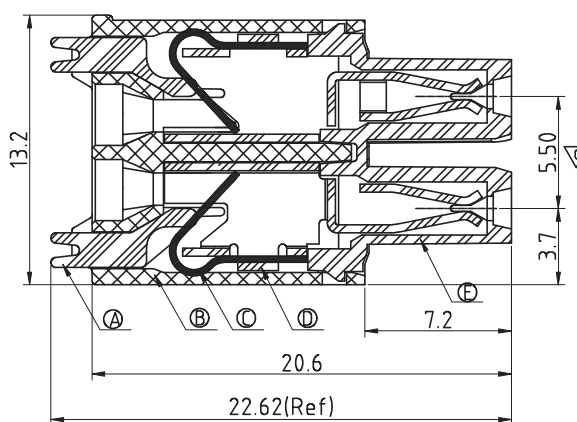
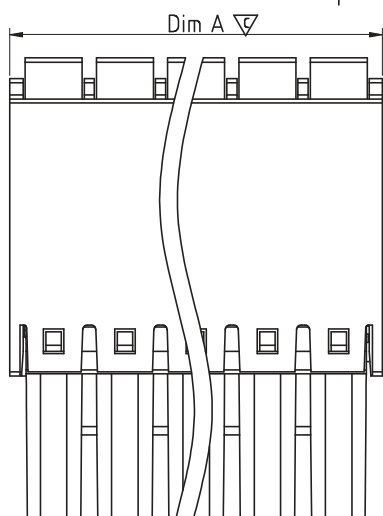


$$\text{Dim A} = (N/2 - 1) \times 3.5 + 4.3$$

$$\text{Dim C} = (N/2 - 1) \times 3.5$$

N=Number of poles

POLES	Tol	Dim.	Dim. A/C
2x2p-2x6p			±0.15
2x7p-2x12p			±0.25
2x13p-2x16p			±0.30
2x17p-2x24p			±0.40



## ORDERING CODES

